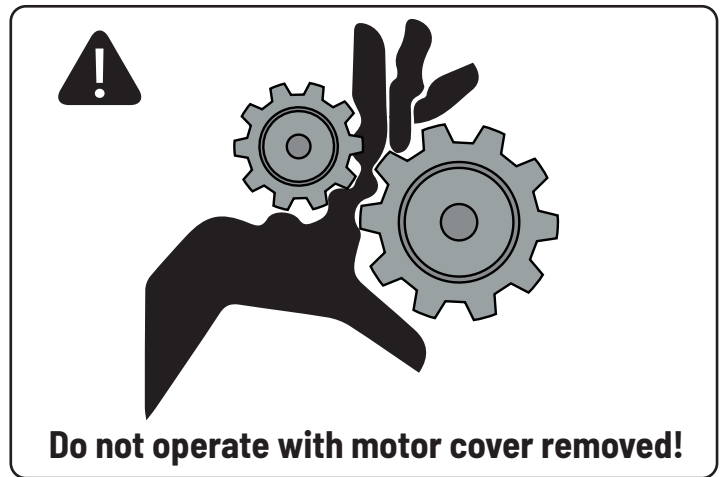
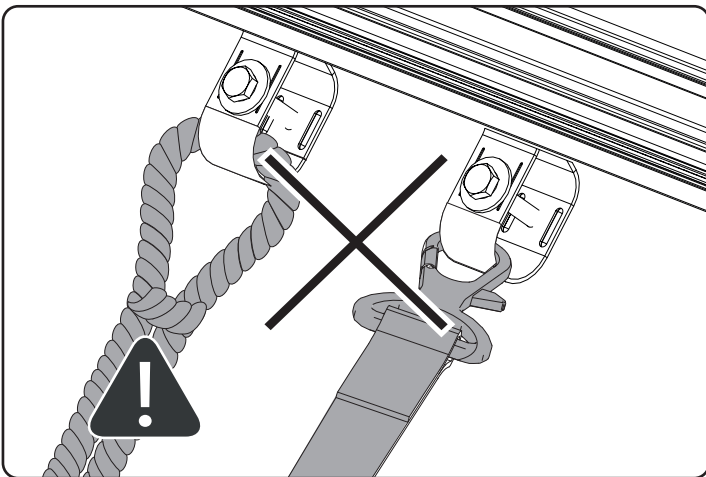
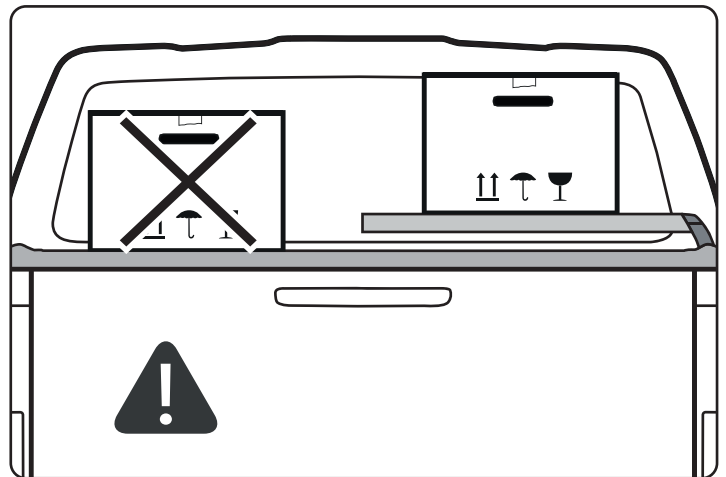
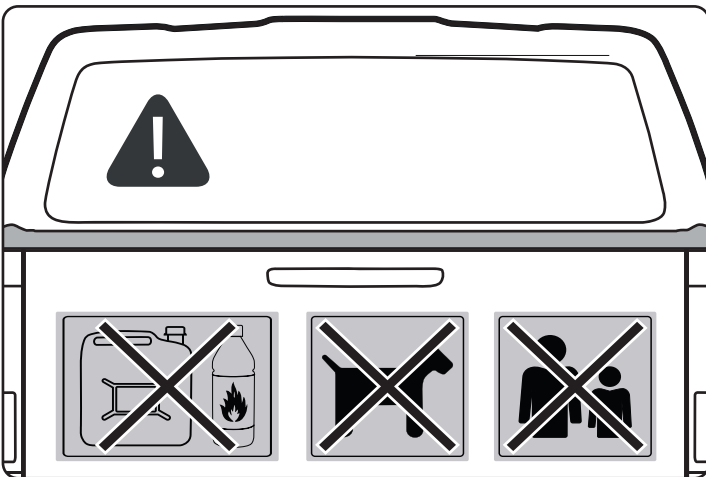
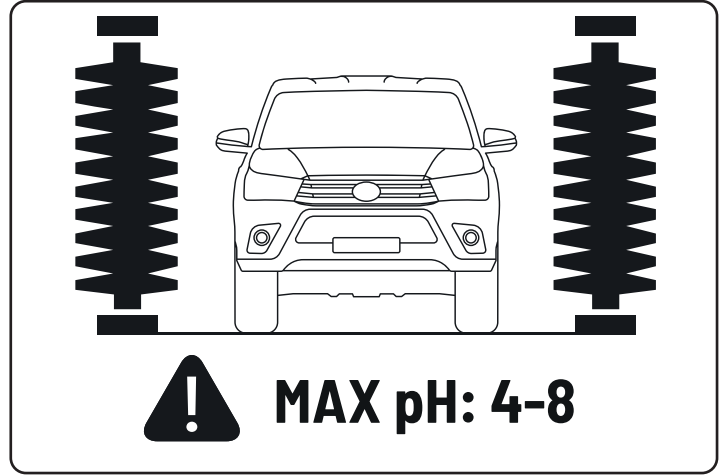
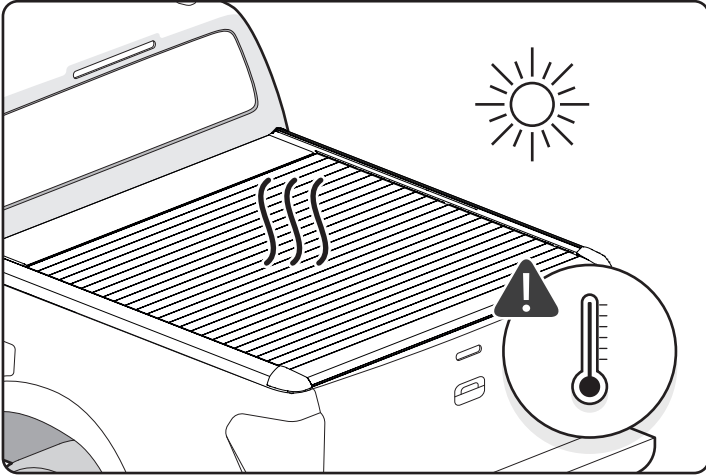


OWNER MANUAL

MOUNTAIN TOP[®] EVOe ROLL COVER

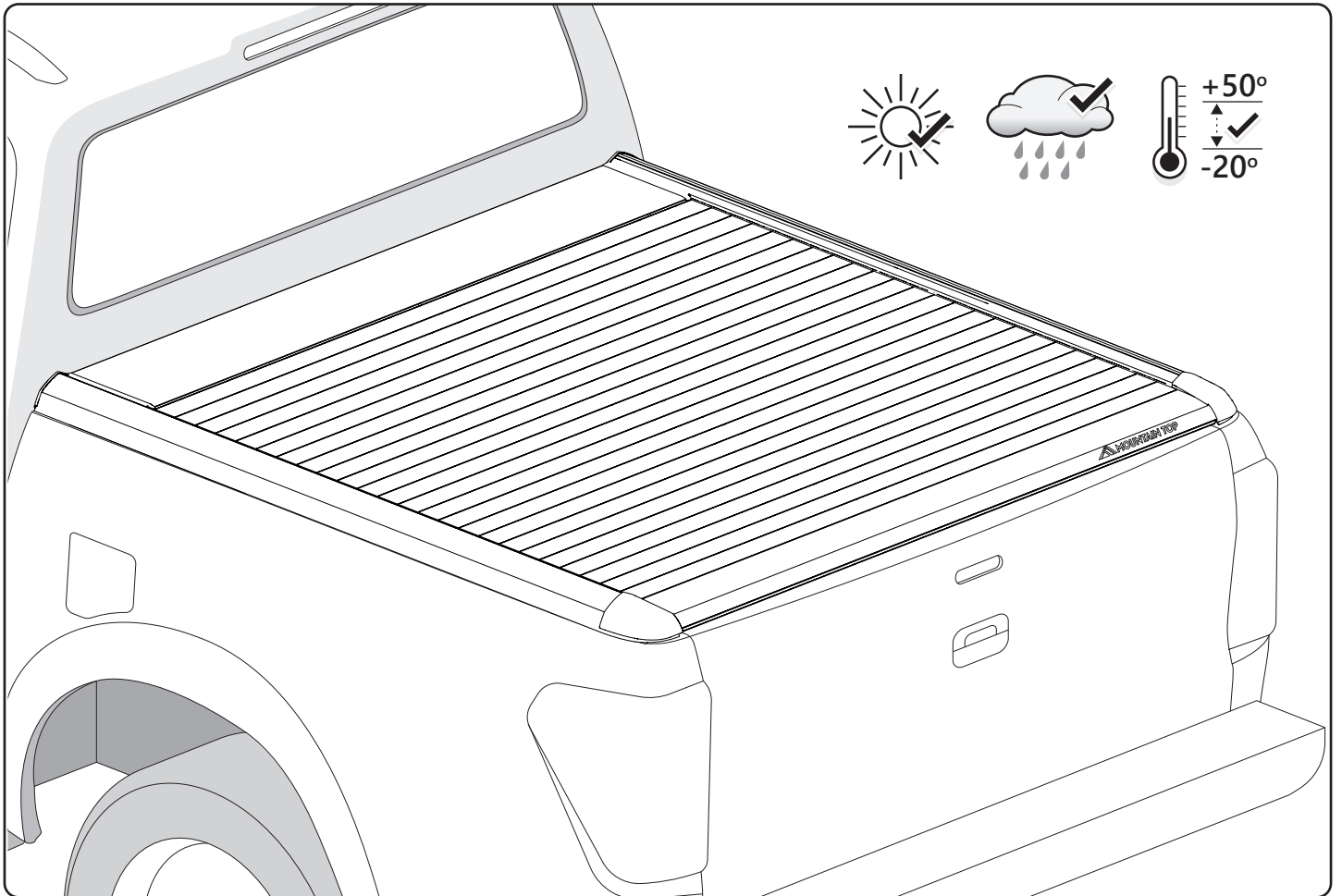
1 WARNINGS



- Temperatures can be very high under the cover when closed.
- We do not recommend washing the EVOe roll cover in a brushless carwash, as the coating may be damaged due to use of chemicals.

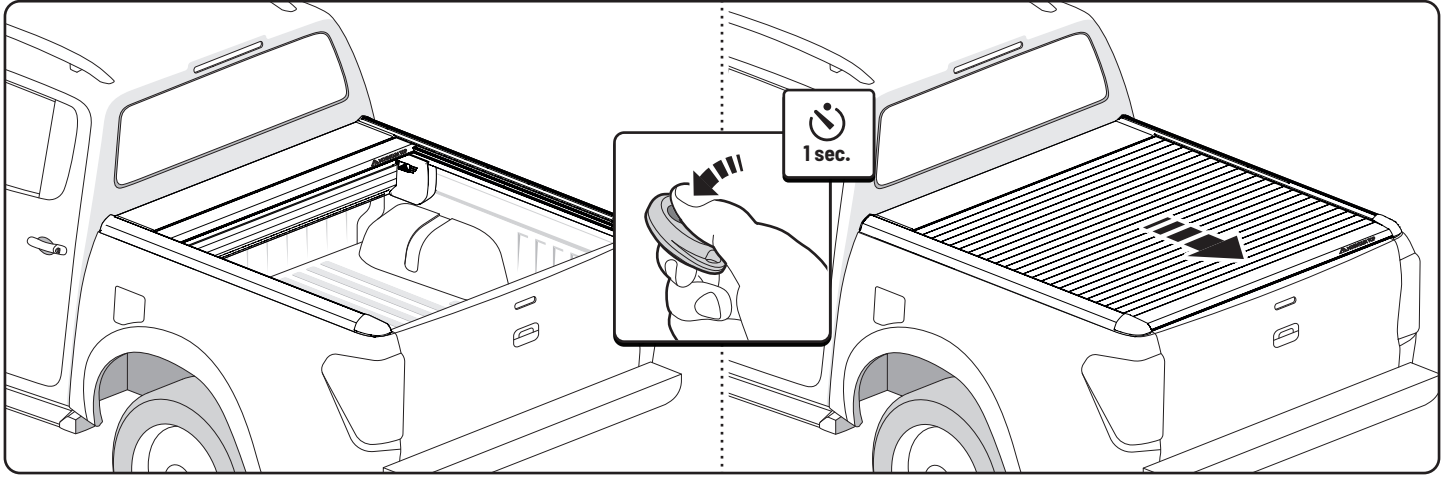
2

CONDITIONS OF USE

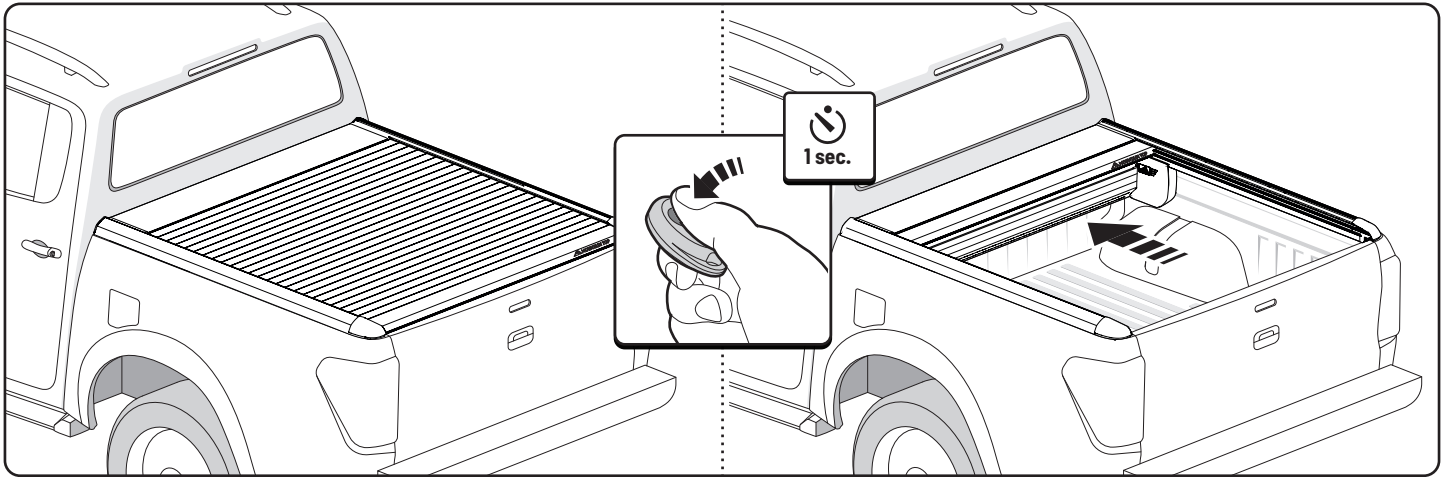


- The EVOe roll cover design is lightweight and not suitable for extreme usage.
- Designed to withstand rain water, some water ingress may occur.
- Dust can enter the compartment through various gaps.
- Due to profiles which relatively quick heats up and cools down according to weather conditions can cause condensation on the inside.
- The EVOe roll cover is not designed for loading although it can support normal snow loads.
- Goods in the bed must be secured during transportation to prevent damage.

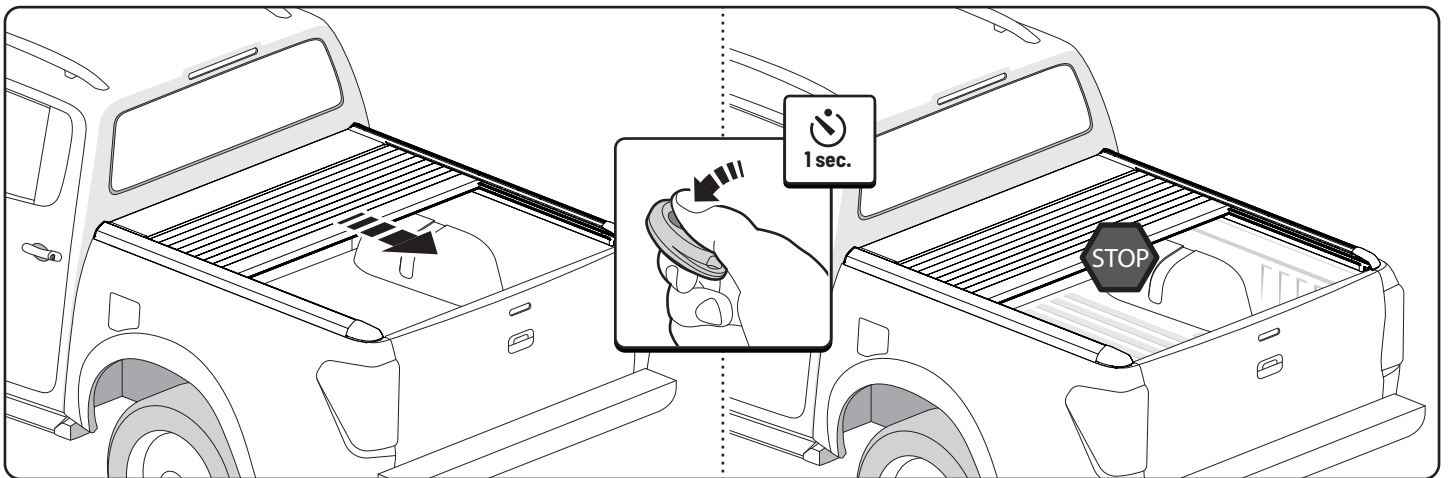
3 OPERATION EVOe



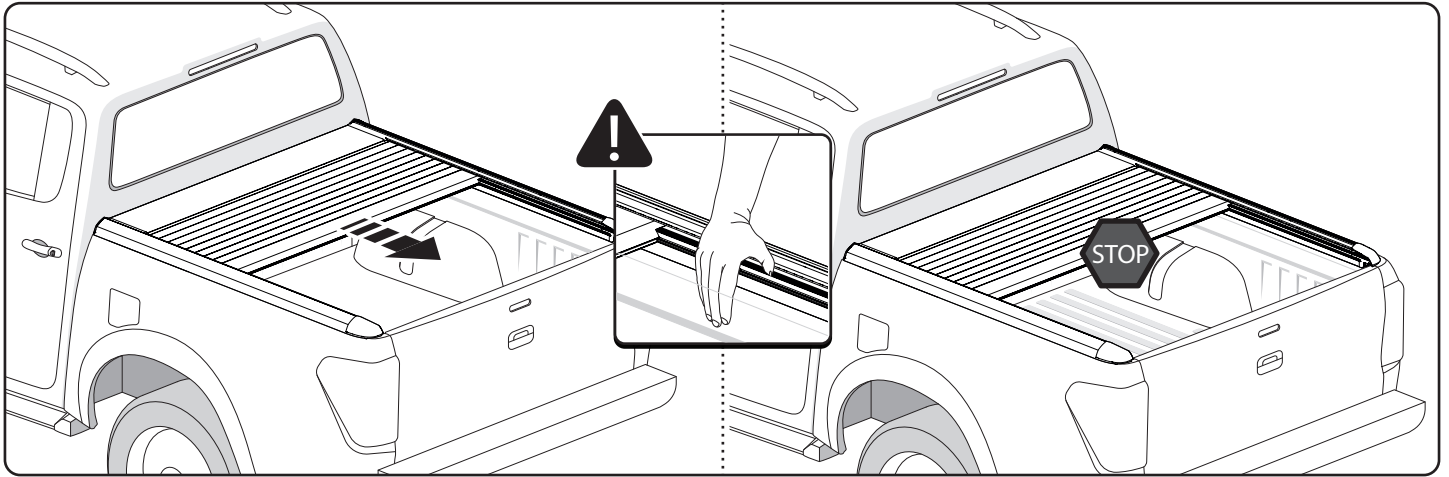
- Close



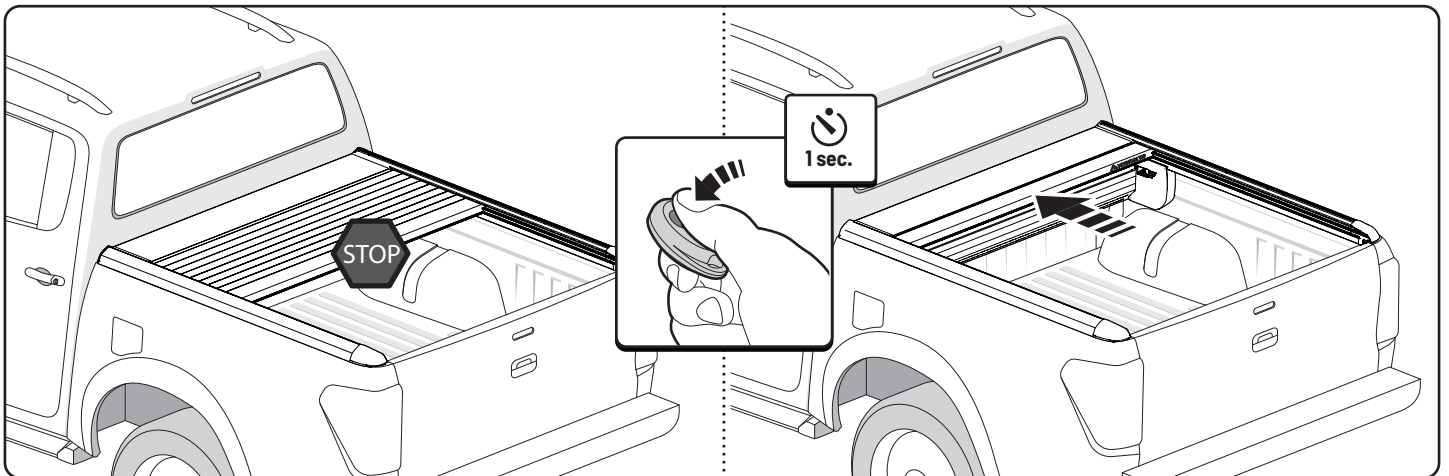
- Open



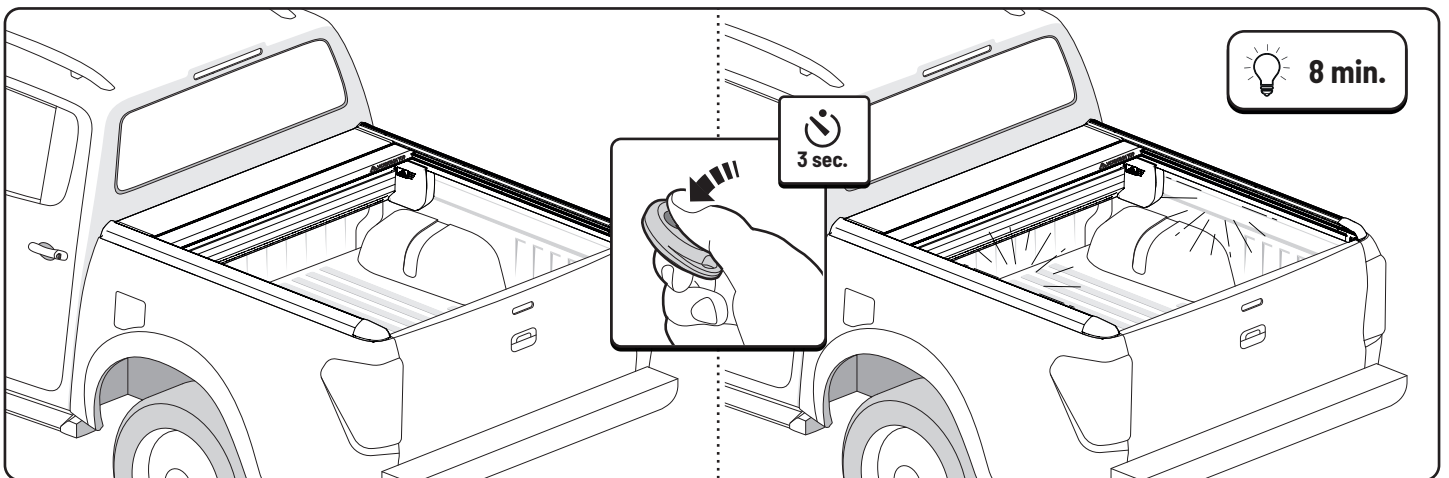
- Stop



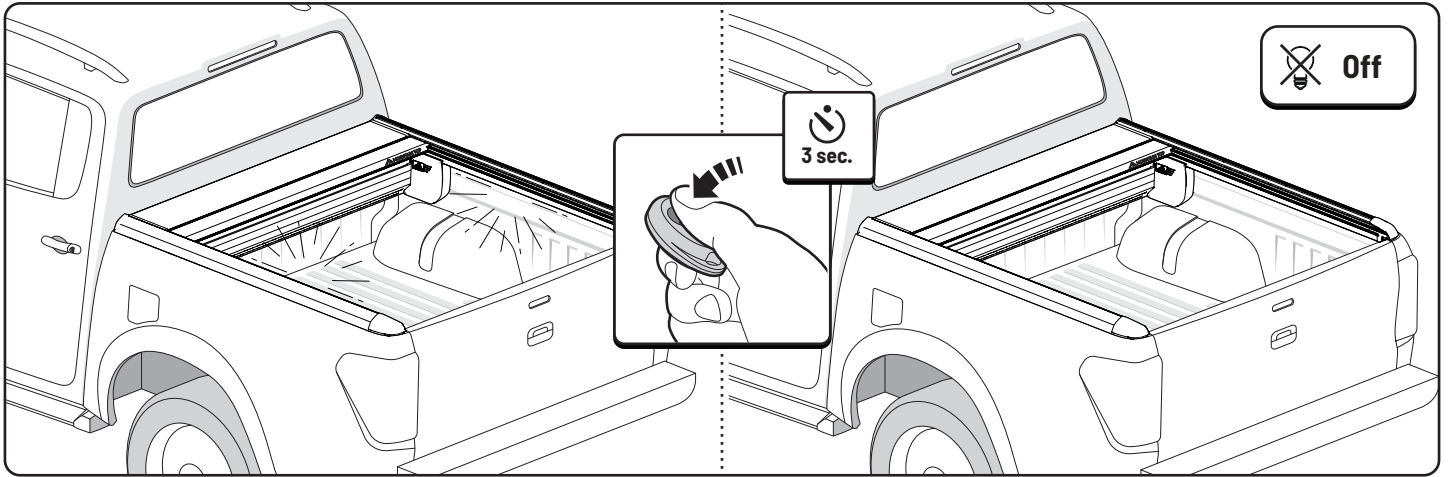
- Obstruction stop



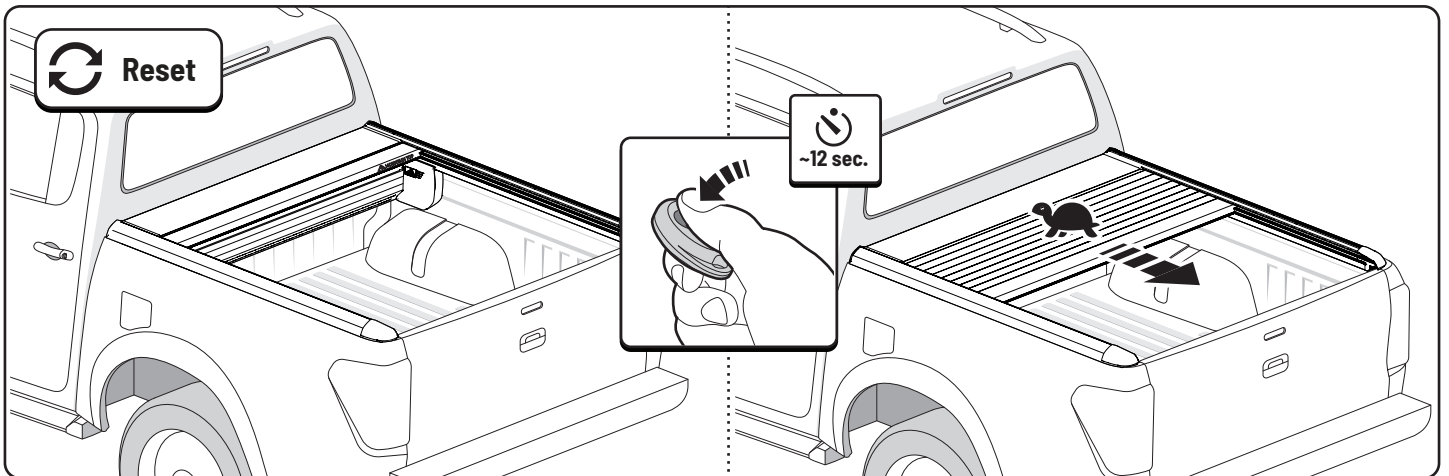
- After stop



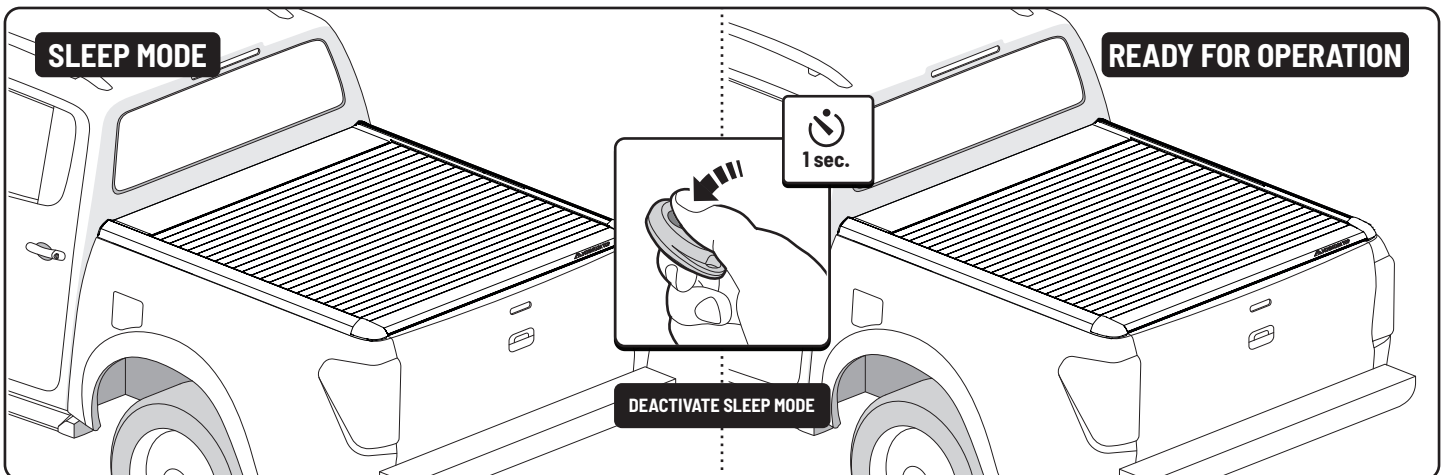
- Light on



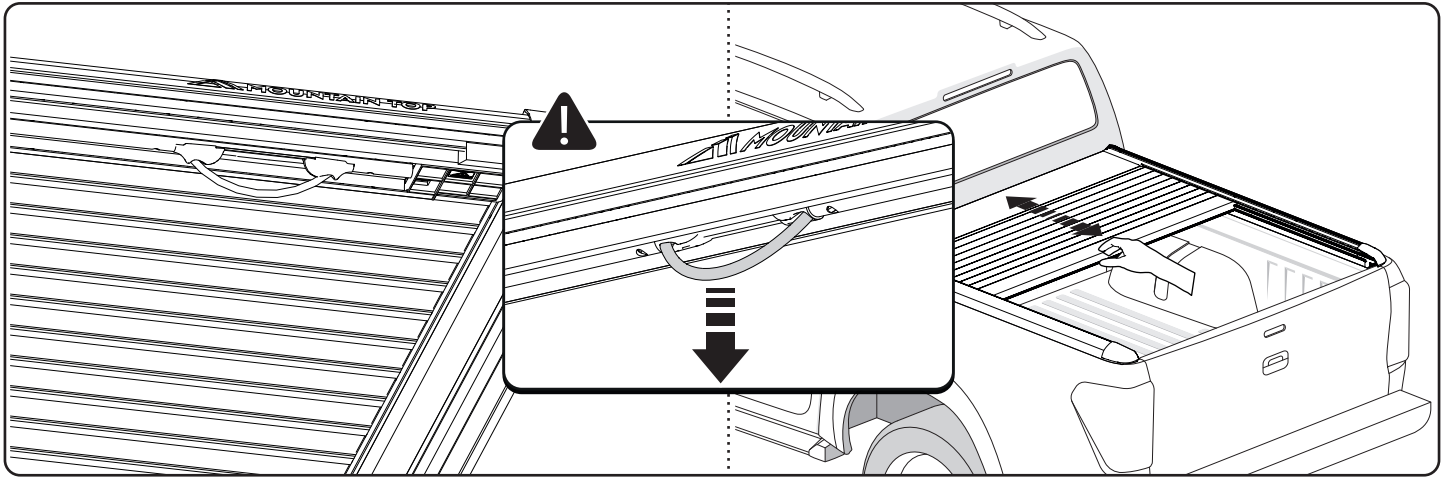
- Light off



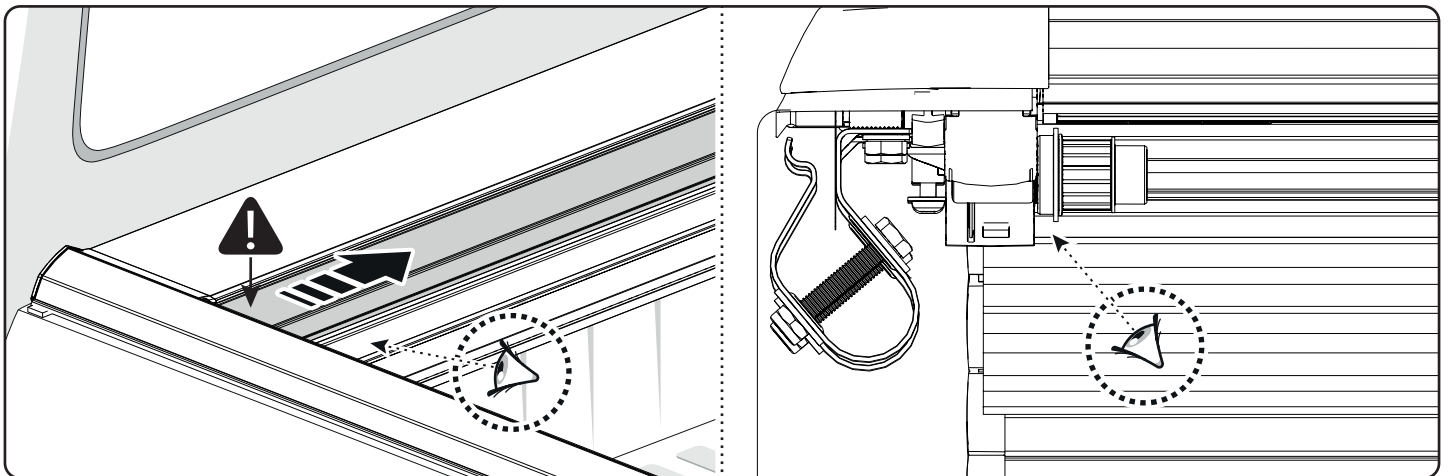
- Auto calibration



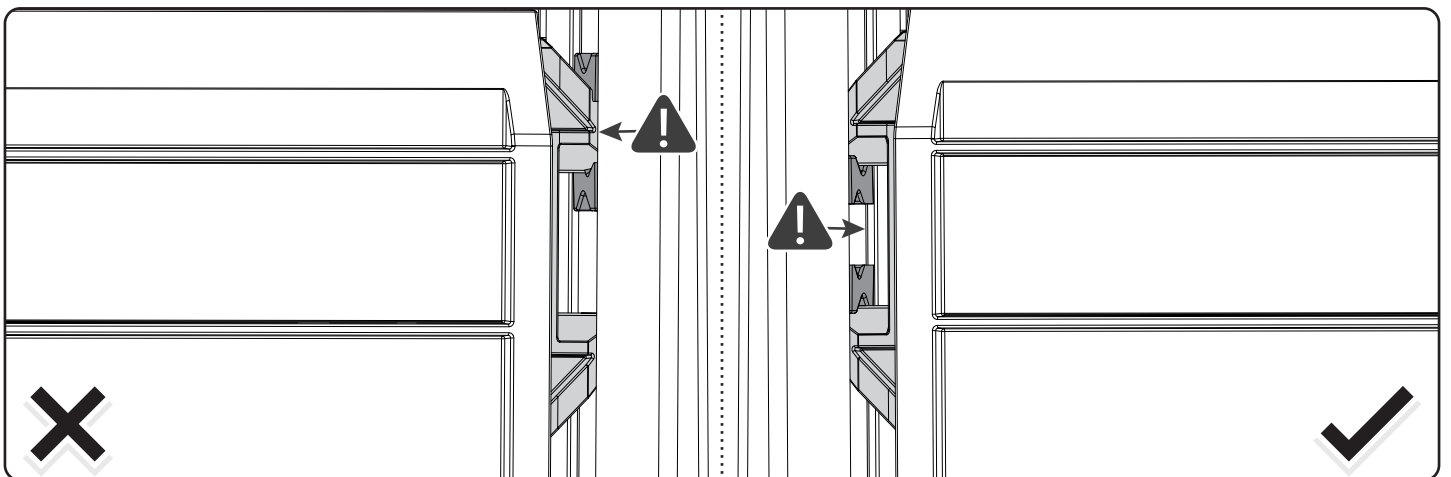
- Auto sleep mode = 48 Hrs.



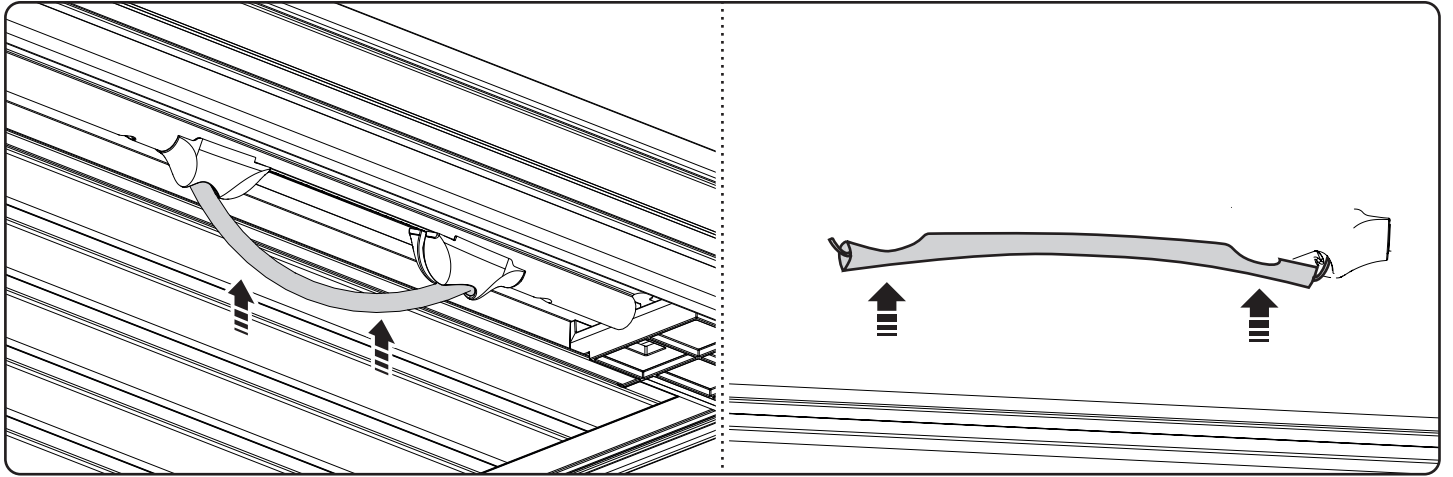
- Release - manual operating.



- Reconnect after manual operation.

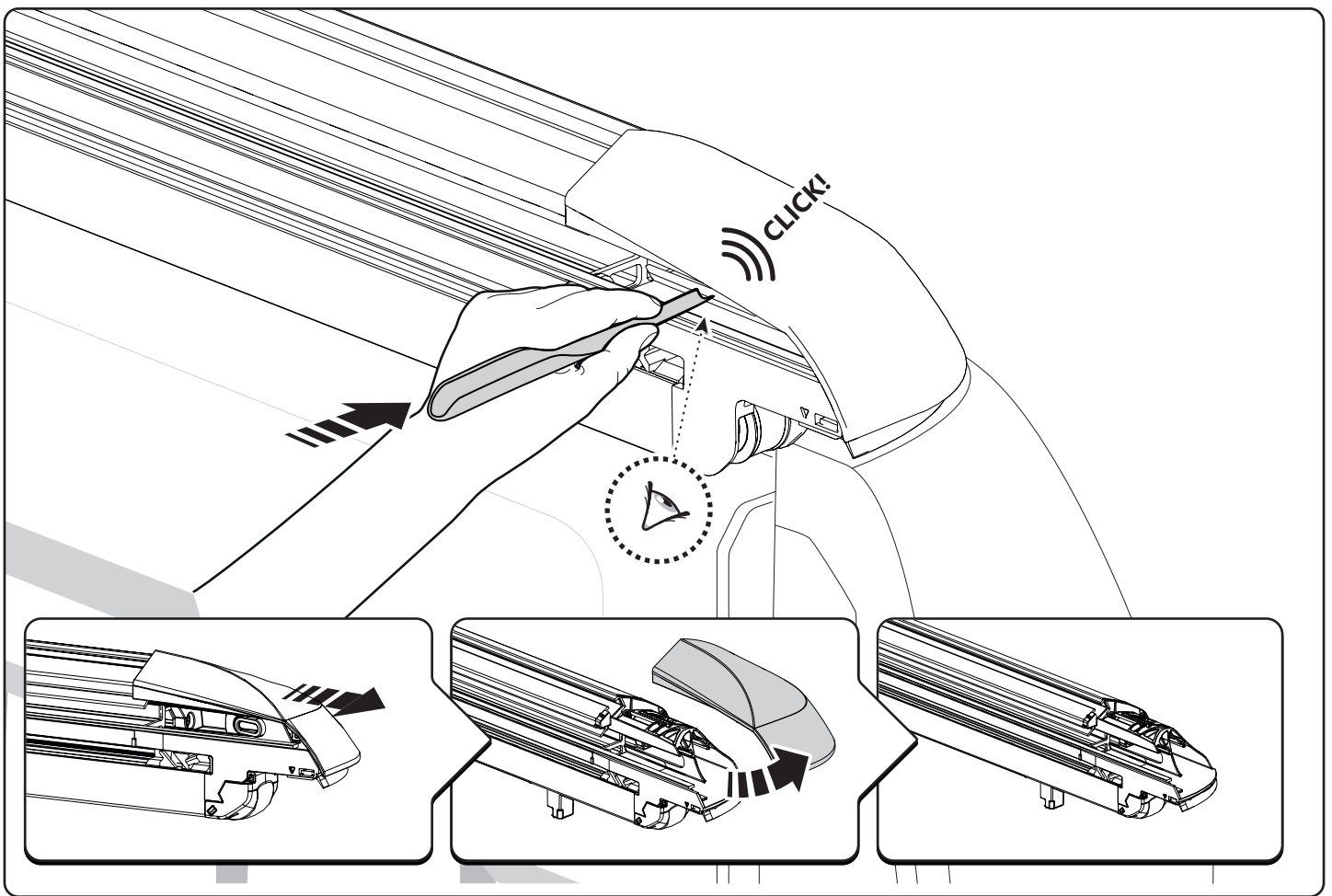
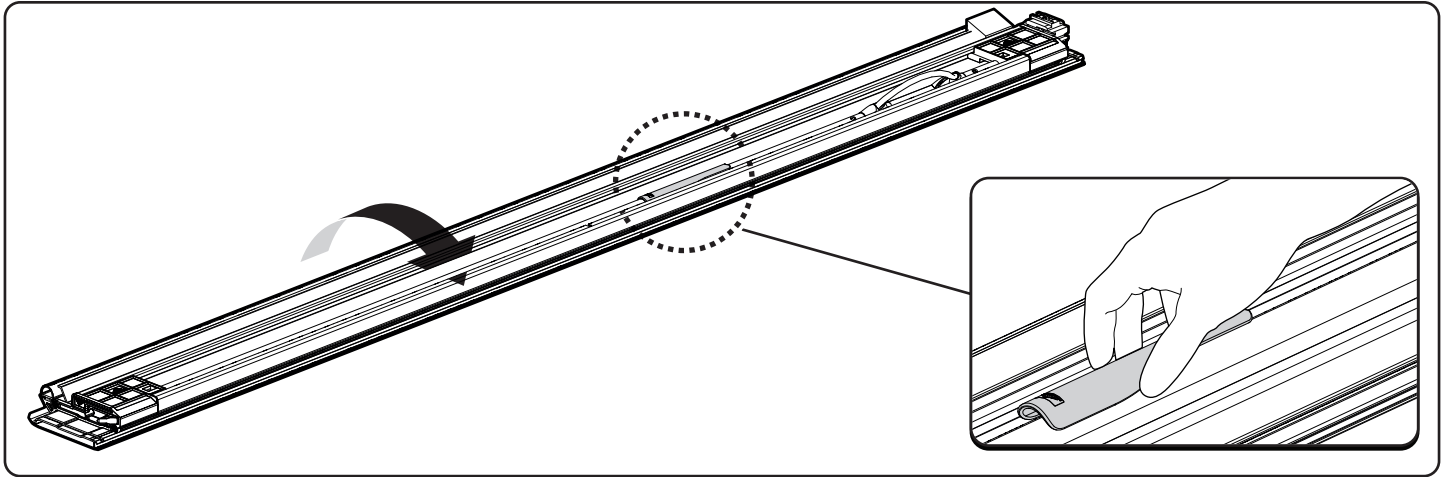


- Reconnect after manual operation.

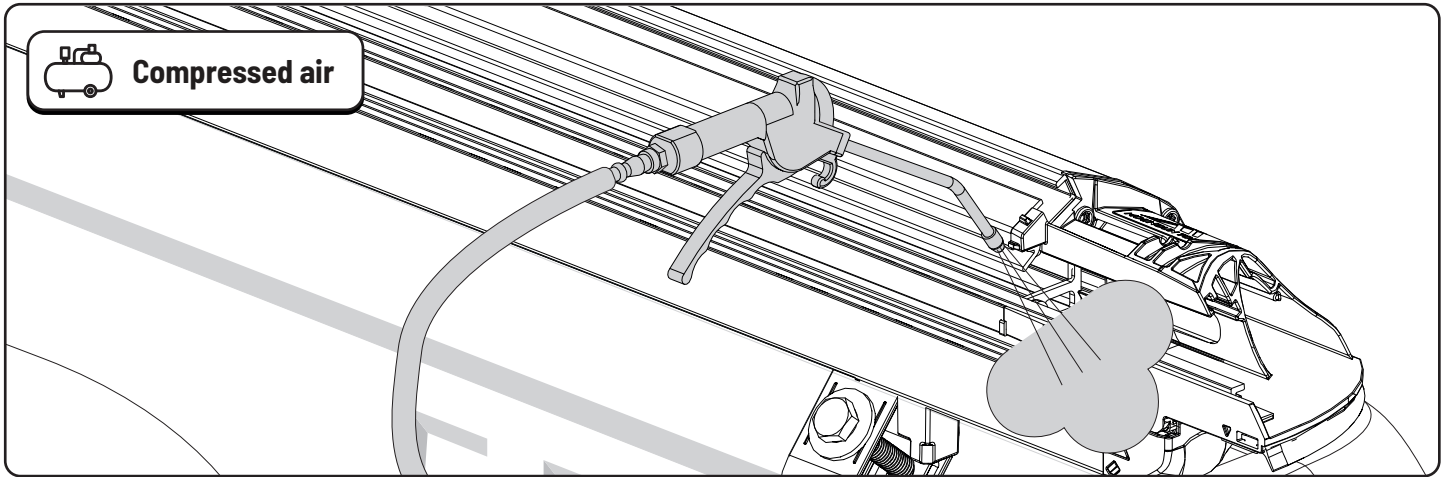


- Secure cargo inside bed.

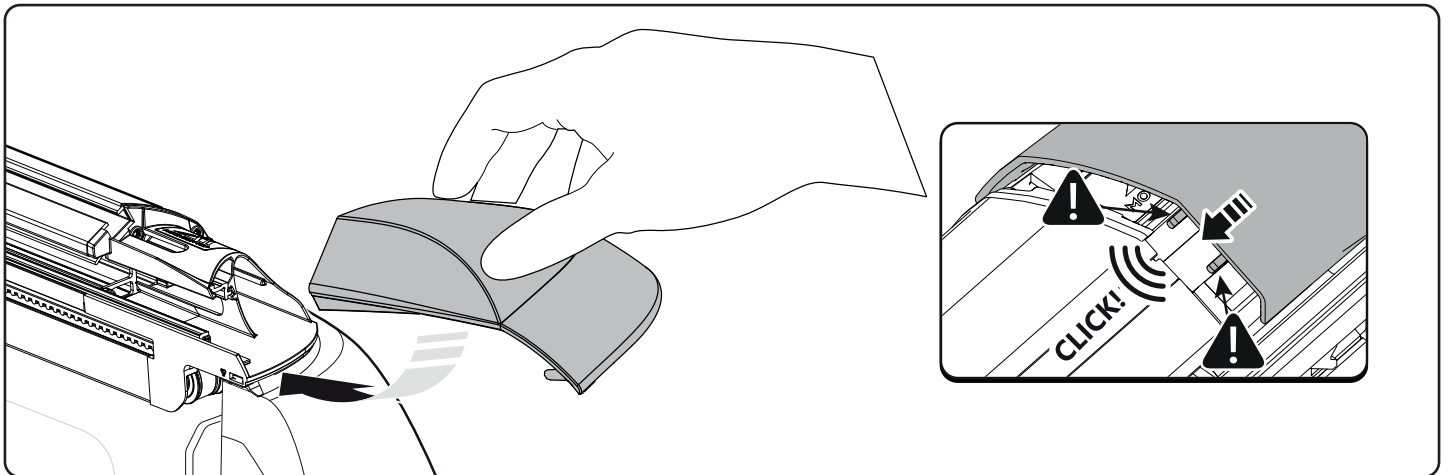
4 MAINTENANCE



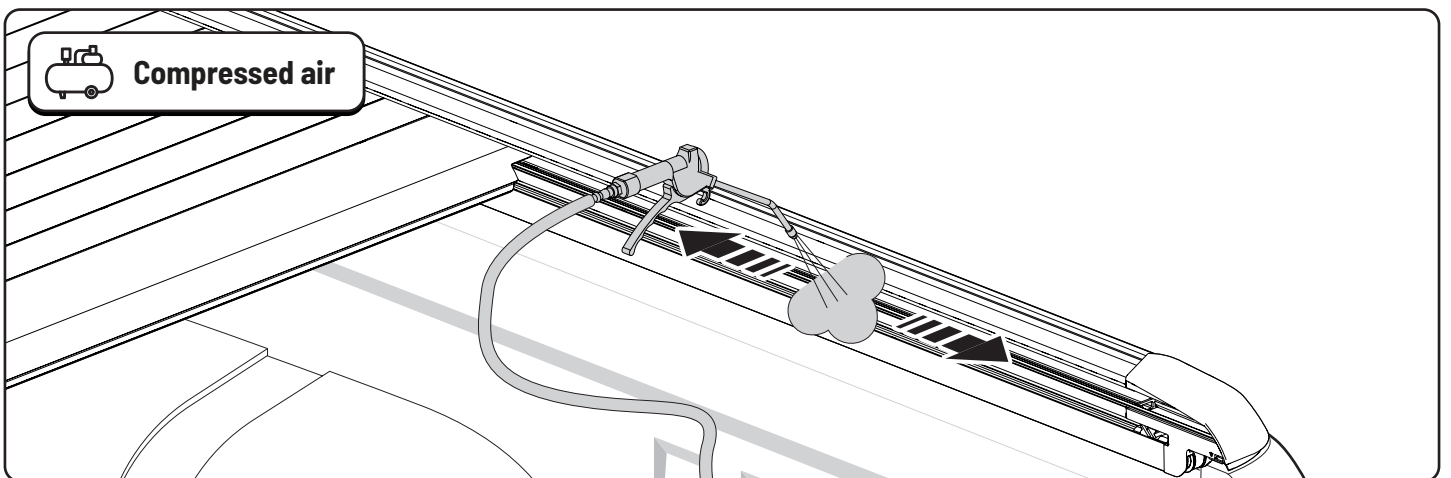
- Use the multi tool to remove the plastic covers on the side profiles.



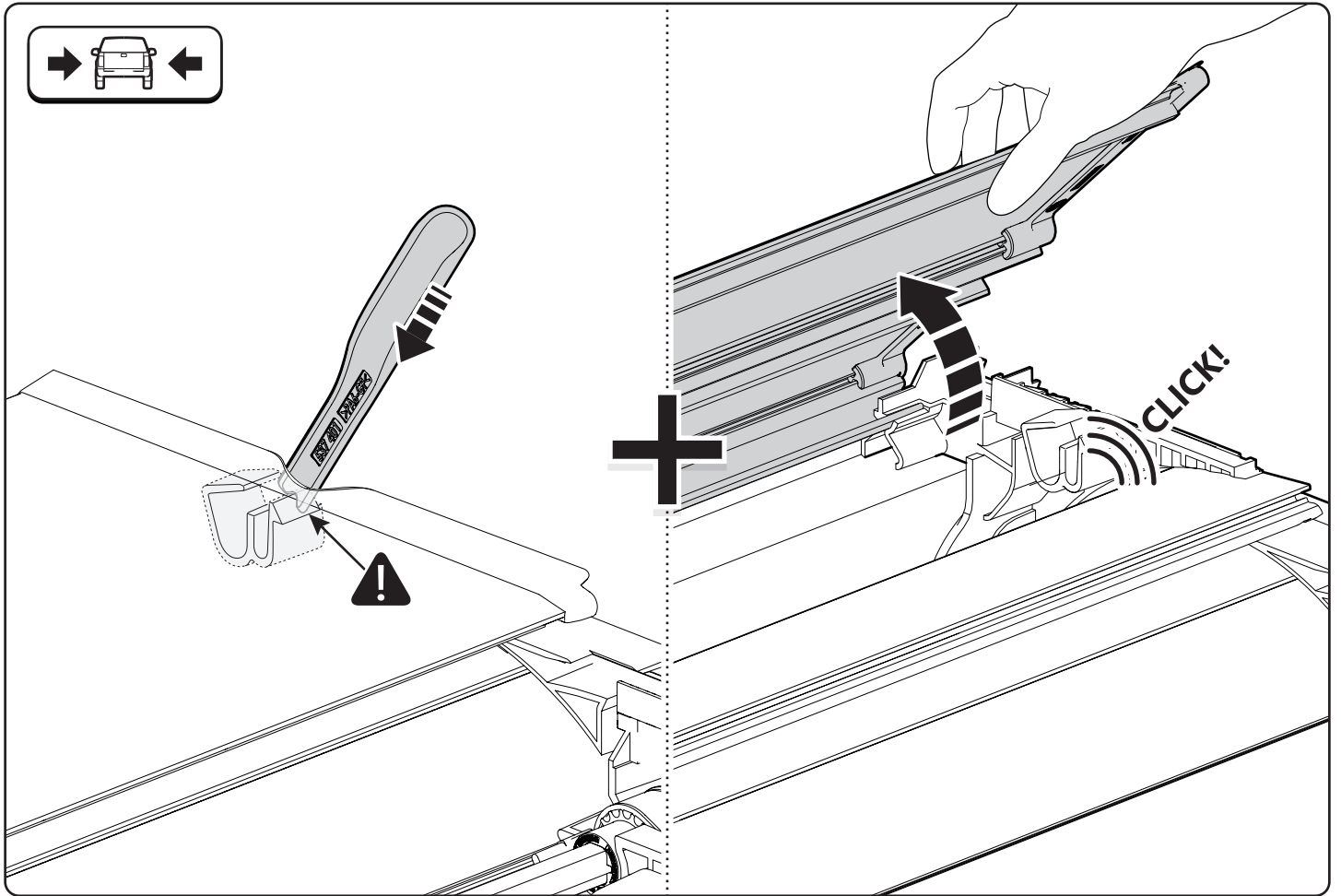
- Remove dirt and debris using compressed air.



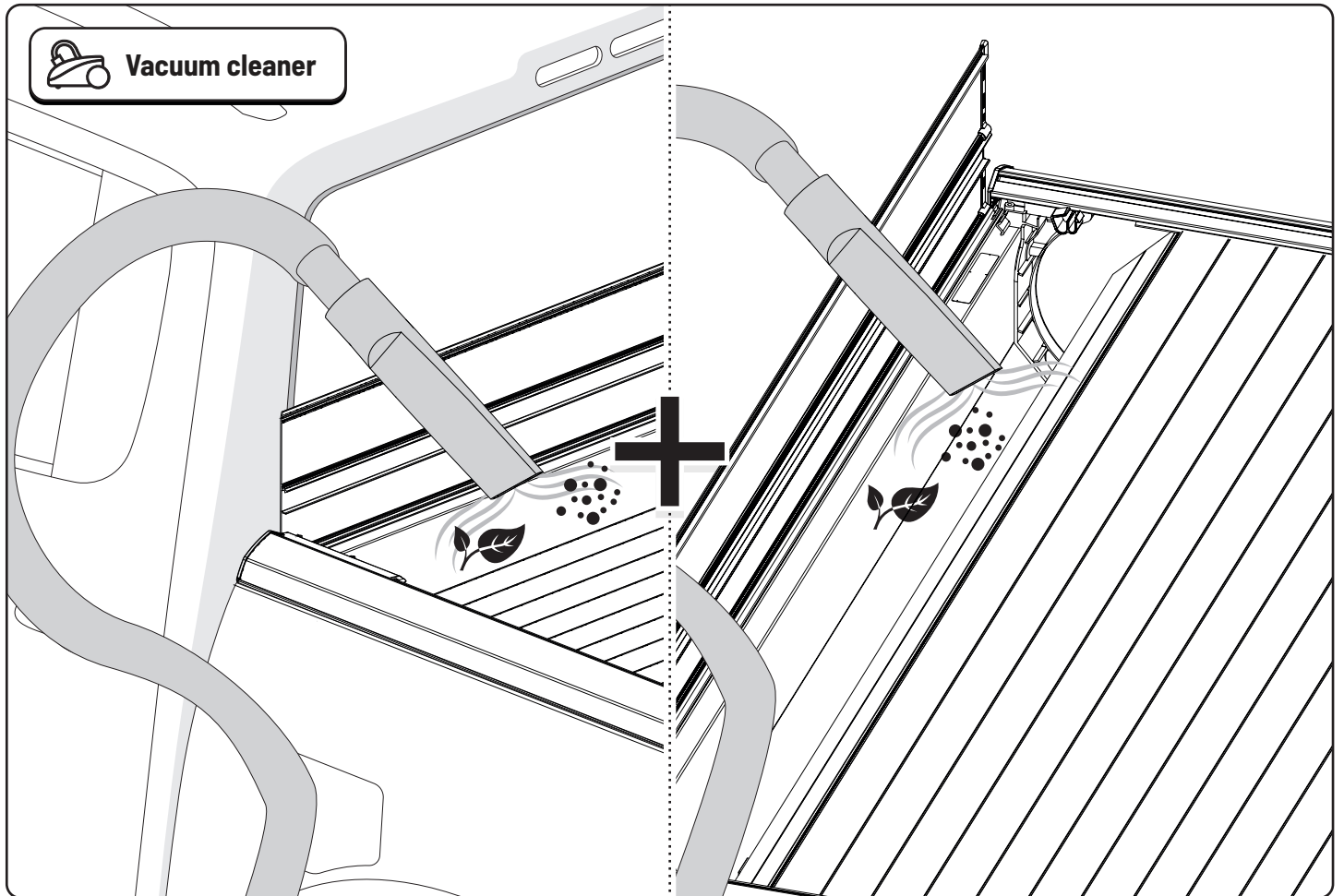
- Mount plastic covers.



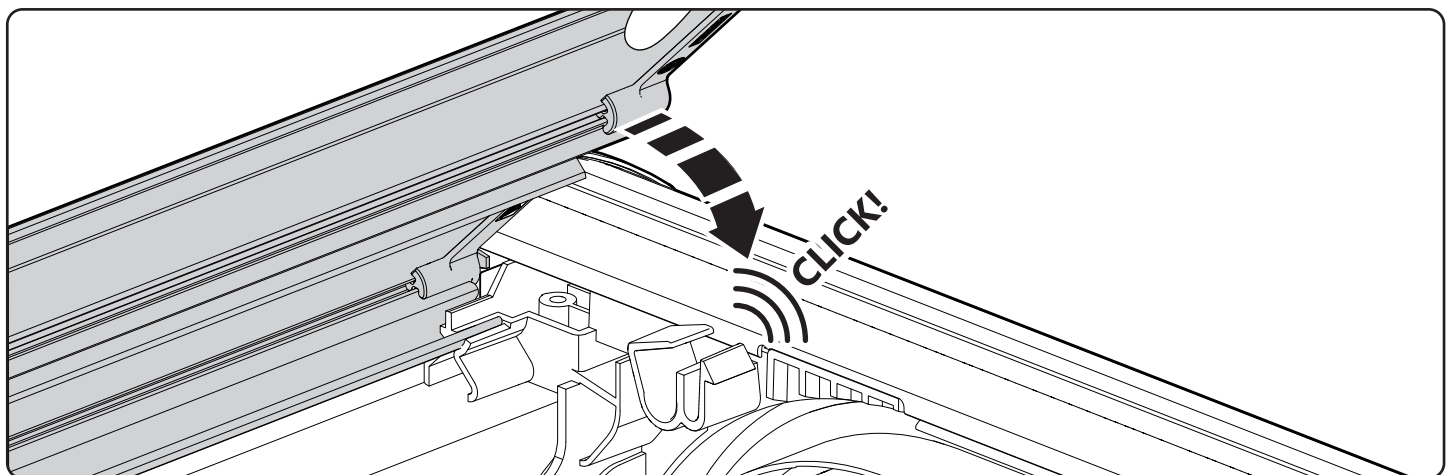
- Clean the side profiles.



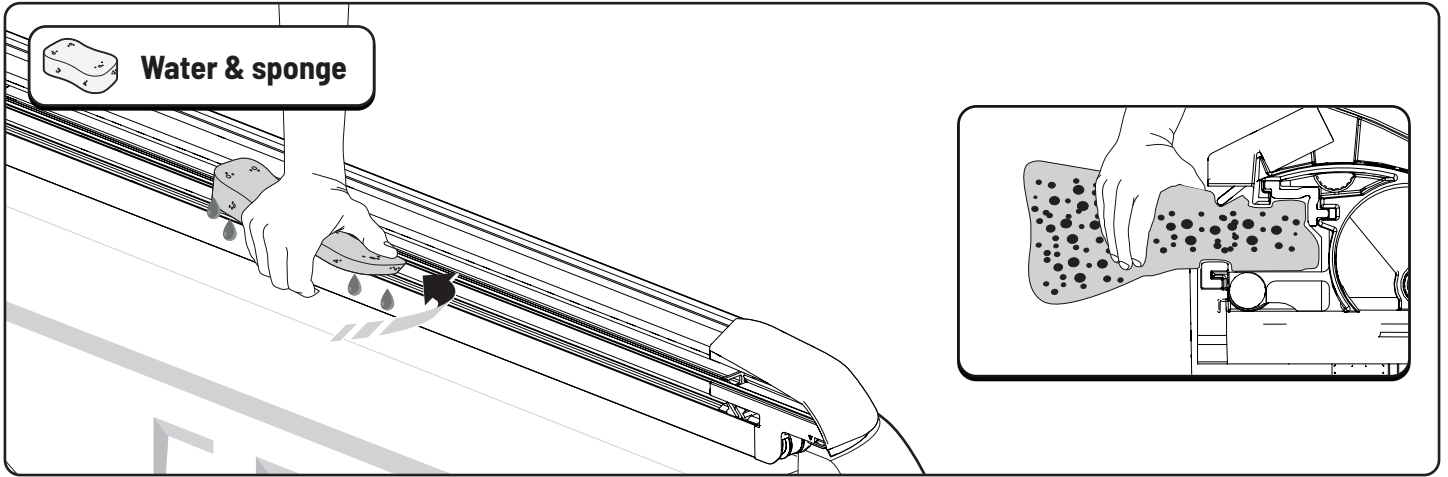
- Open the canister.



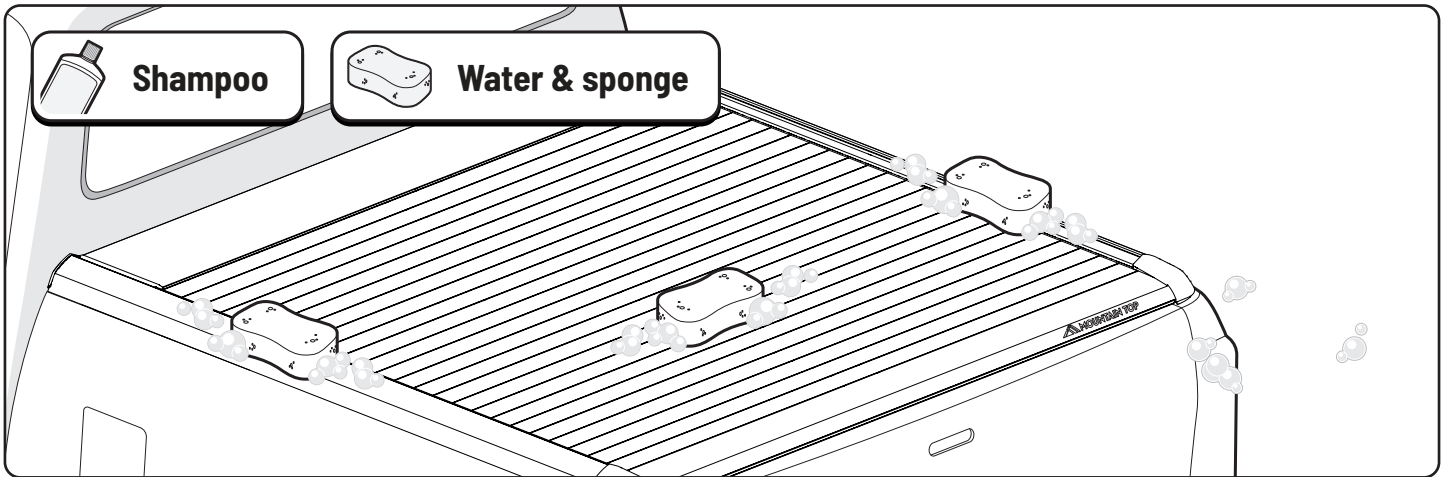
- Clean the canister.



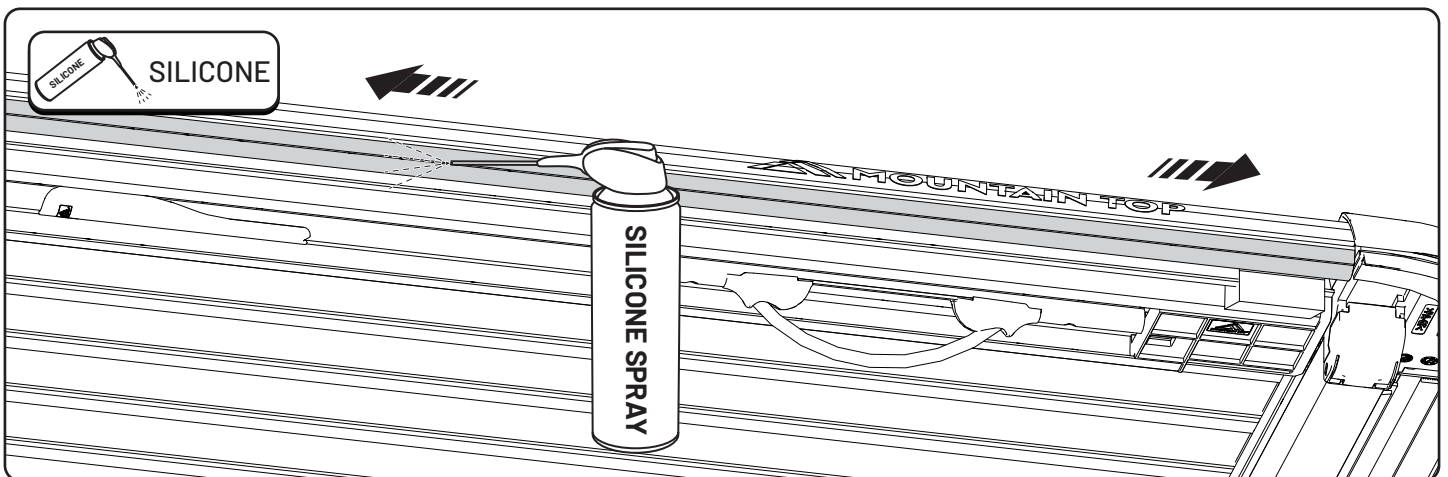
- Close the canister.



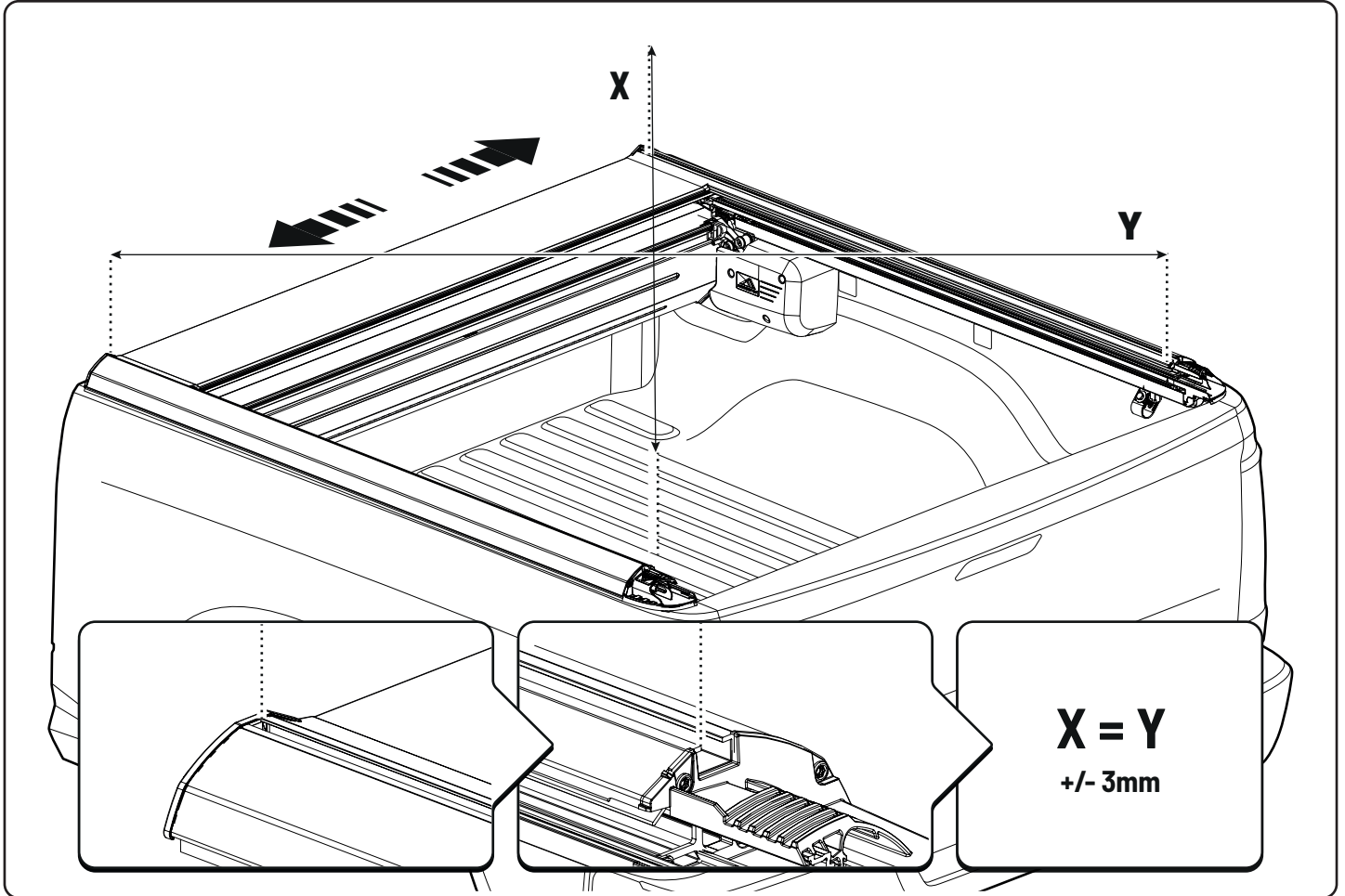
- Clean the drainage channels on the side profiles. Do not use high pressure cleaner.



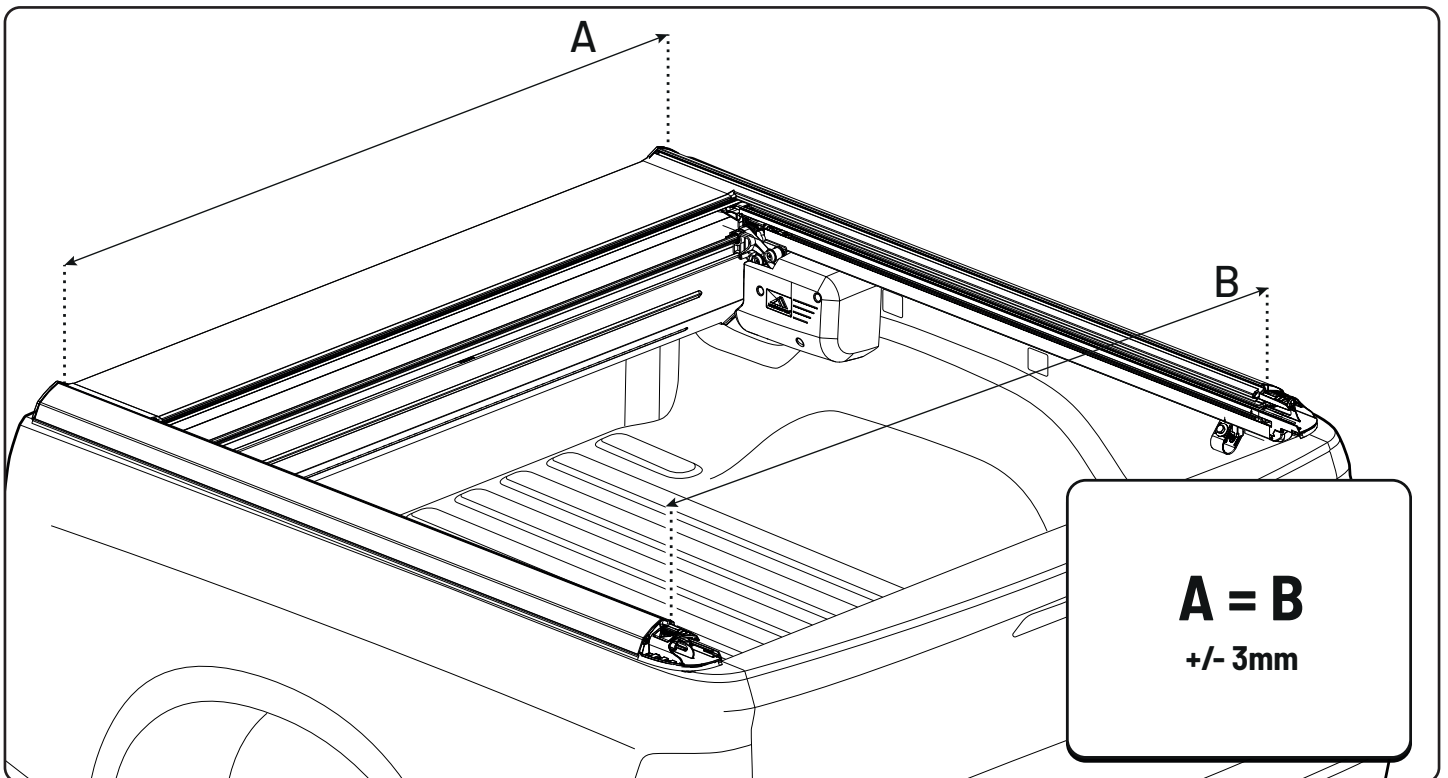
- The EVOe roll cover should be cleaned regularly.



6 CHECK MEASUREMENTS MAINTENANCE

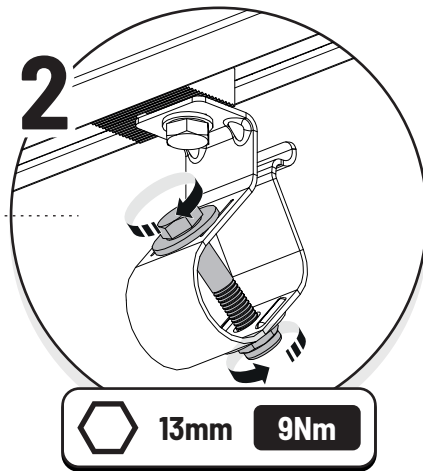
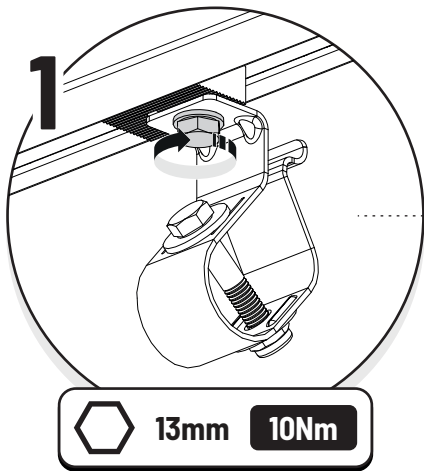


- Ensure the cross measurements are identical.



6 CLAMPS

Clamps



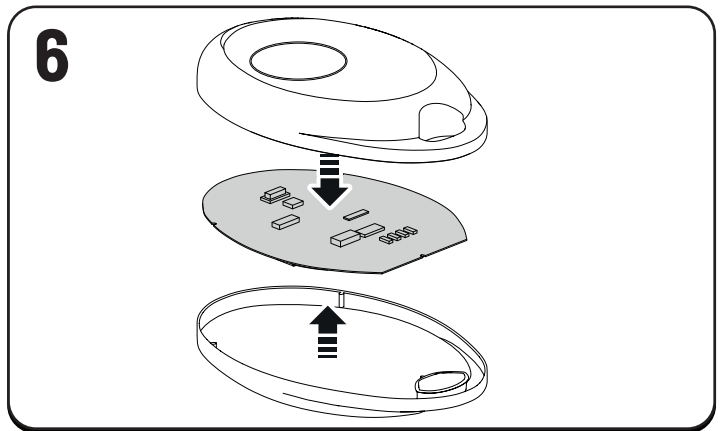
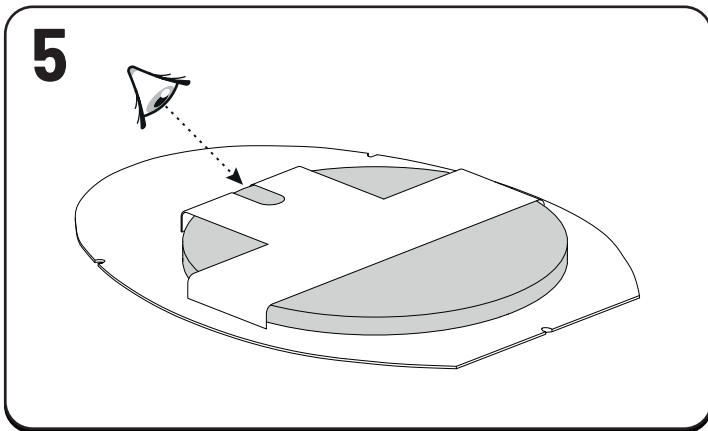
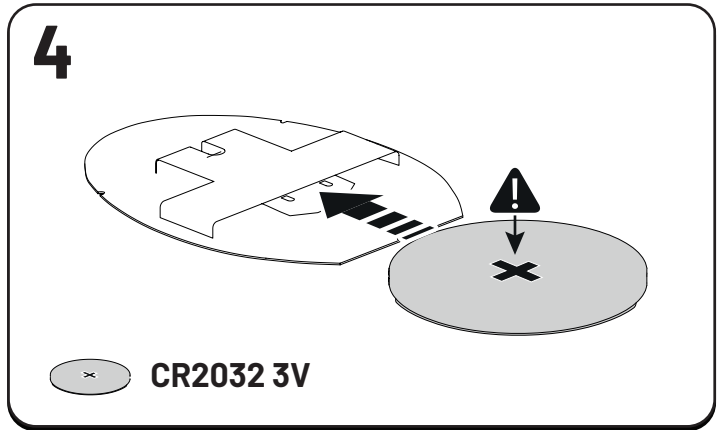
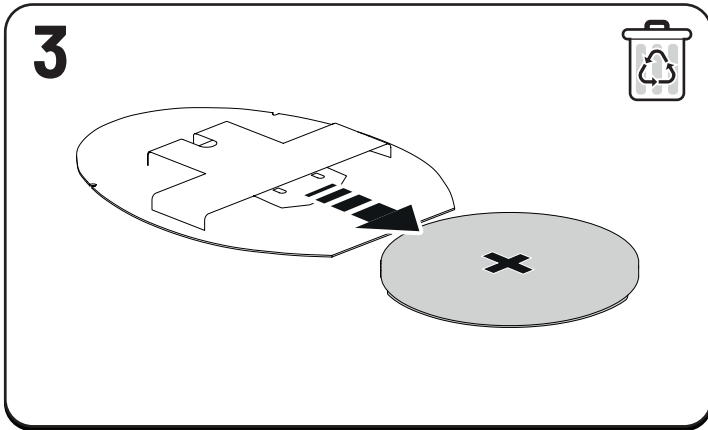
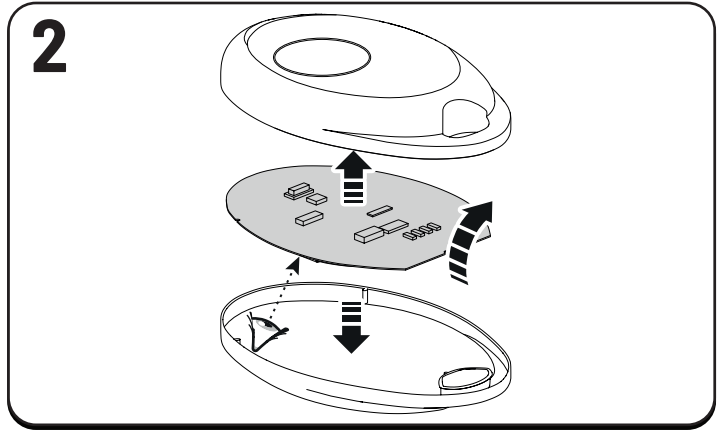
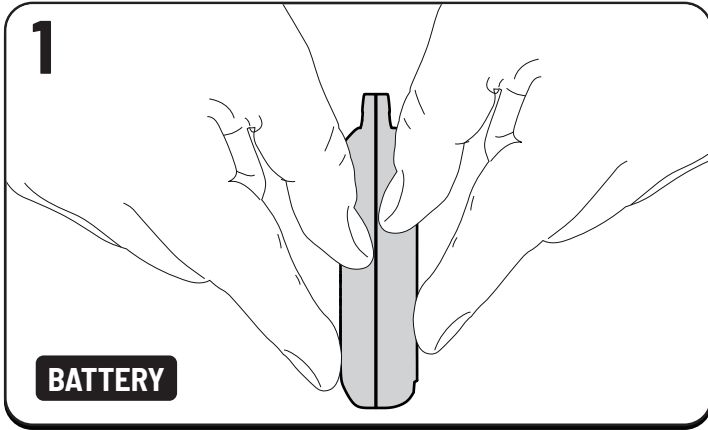
+1000 km

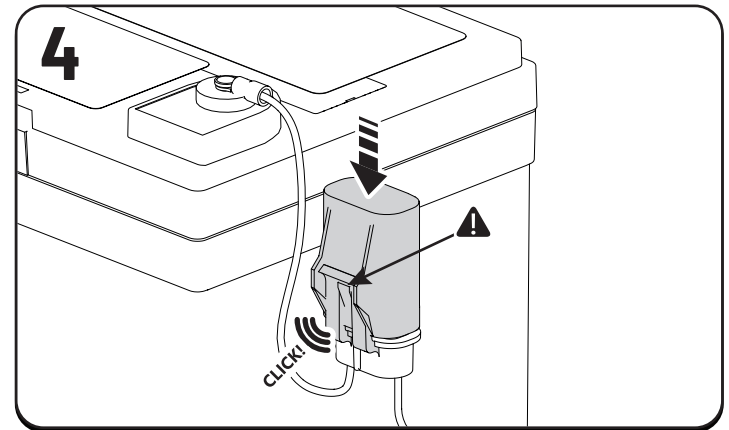
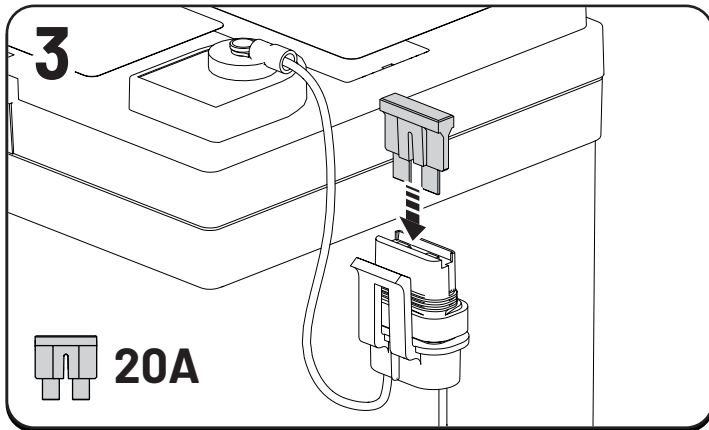
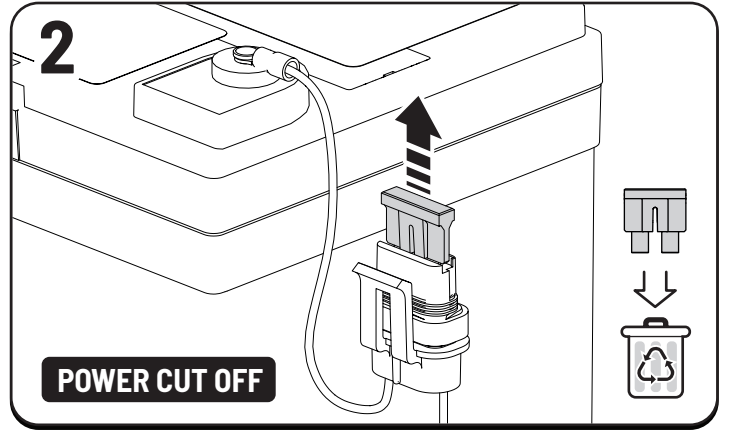
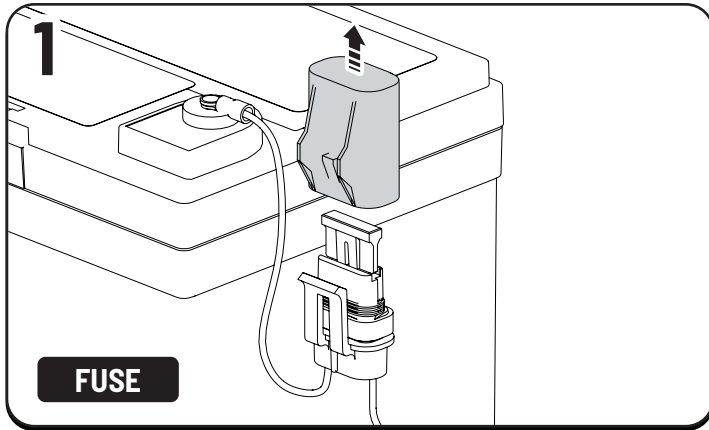


+15000 km

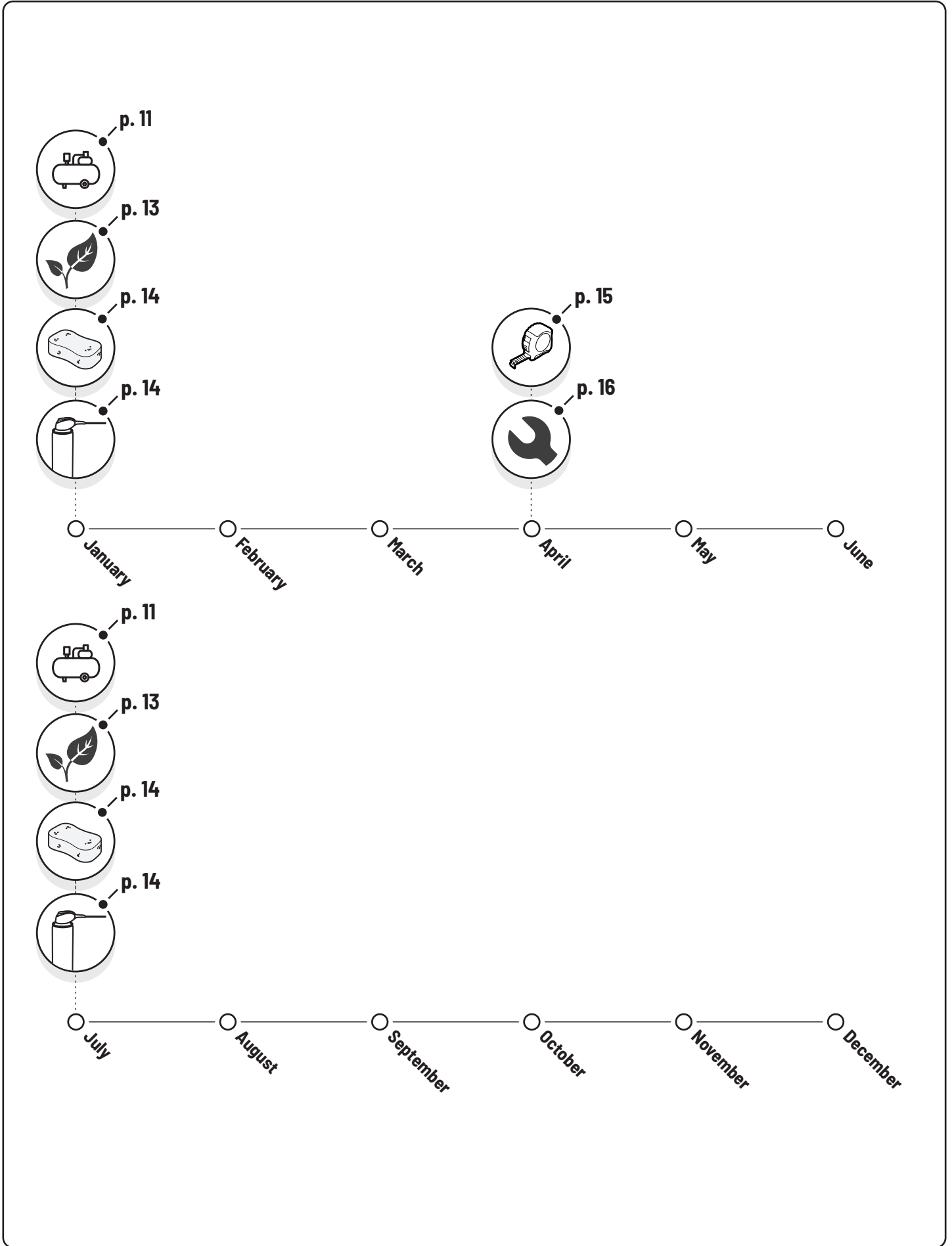
- Re-tighten the clamps after the first 1000 km. And then every 15.000 km

7 REPLACE PARTS





Recommended part change	Km	Years
Glide rails	50.000	2
Side profiles	100.000	3
Rear profiles	200.000	5

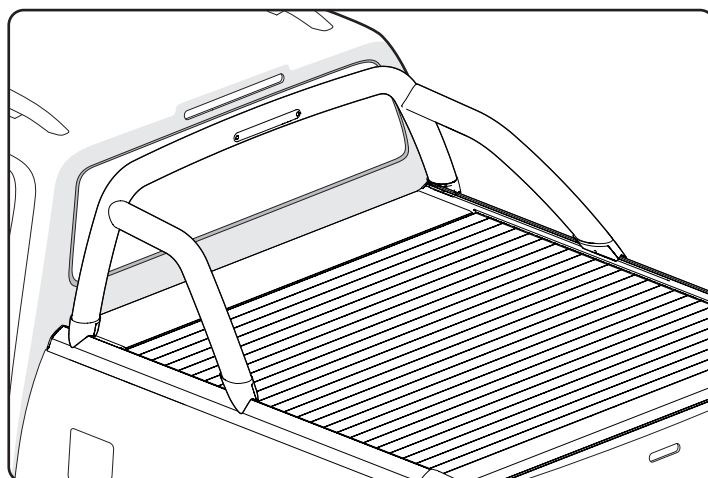
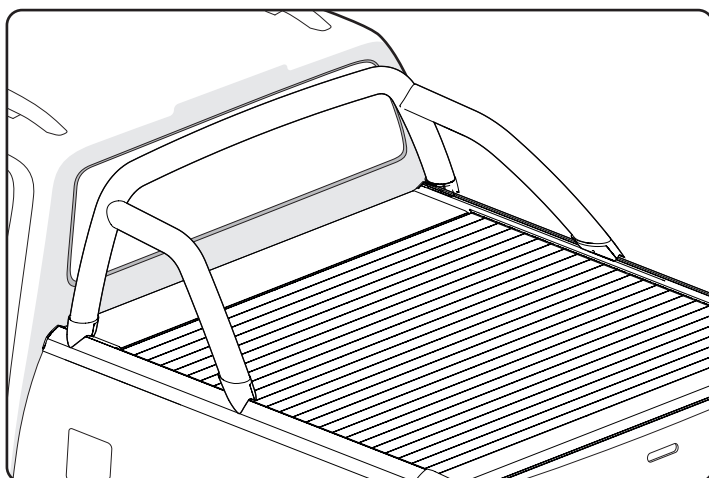
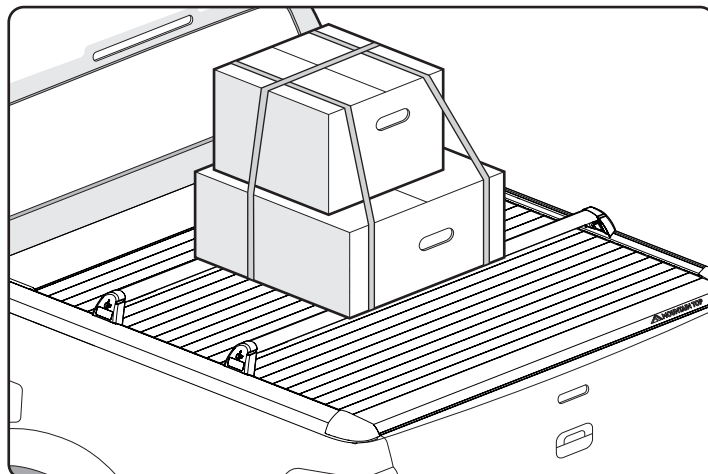
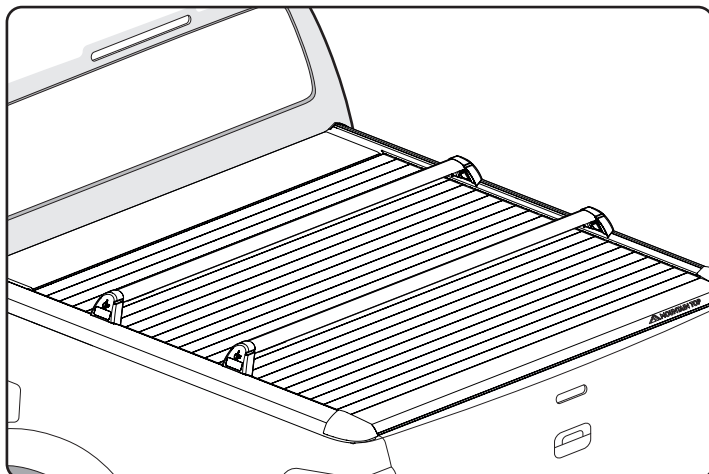


Maintenance EVOe manager



Type of Maintenance	Date	Done by

ACCESSORIES



- Mountain Top Cargo Carrier combined load capacity of 75 Kg.
- Mountain Top Sports Bar available in 2 versions; with and without brakelight.
- See more accessories and spareparts www.mountaintop.dk.



Customer Service	+45 4810 2950 (08:00 - 16:00 CET)
Support	info@mountaintop.dk
Website	www.mountaintop.dk
Address	Pedersholmparken 10, 3600 Frederikssund, Denmark



Scan for more
information