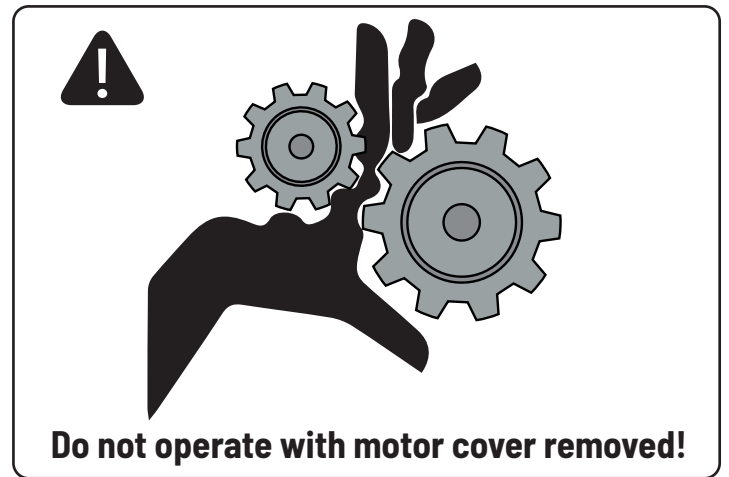
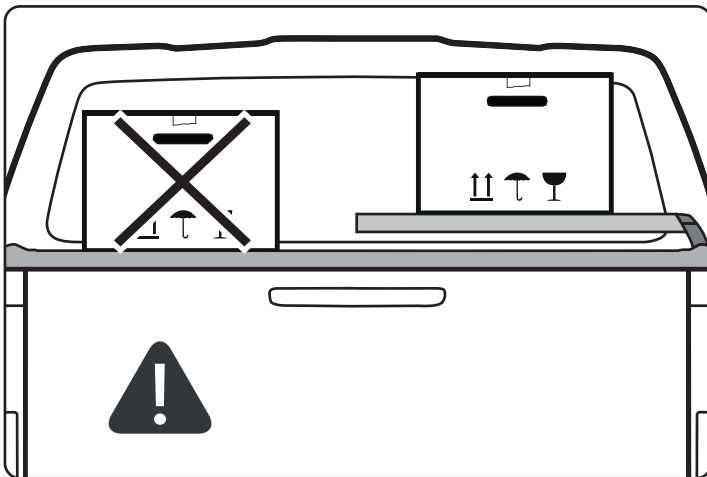
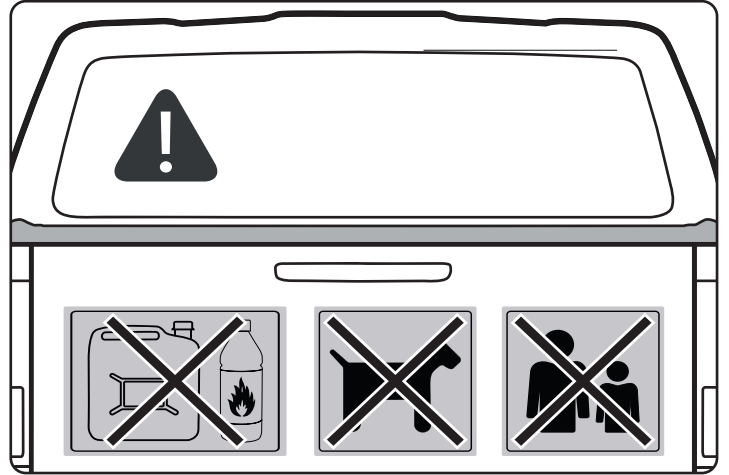
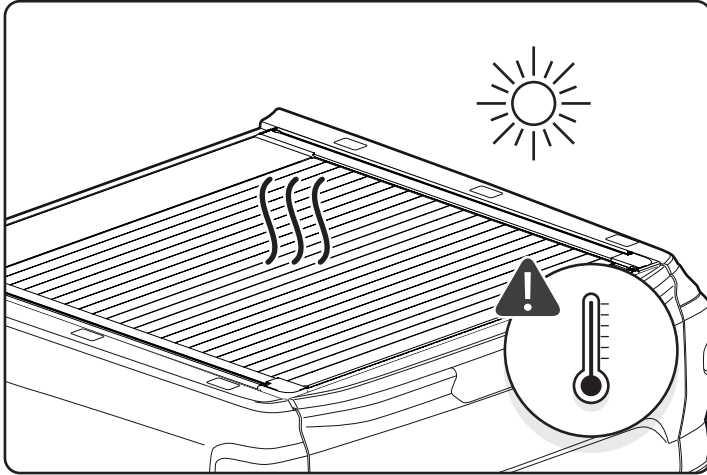


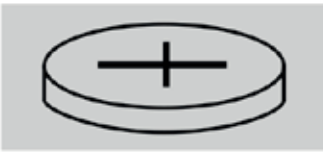
OWNER MANUAL

MOUNTAIN TOP® EVOe ROLL COVER

1 WARNINGS



- Temperatures can be very high under the cover when closed.
- We do not recommend washing the EVOe roll cover in a brushless carwash, as the coating may be damaged due to use of chemicals.





0-5 Years

WARNING: This product contains a coin/button cell battery inside the Remote FOB used to operate the roll cover. Keep batteries out of reach of children. Swallowing may lead to serious injury or death in as little as 2 hours due to internal burns.

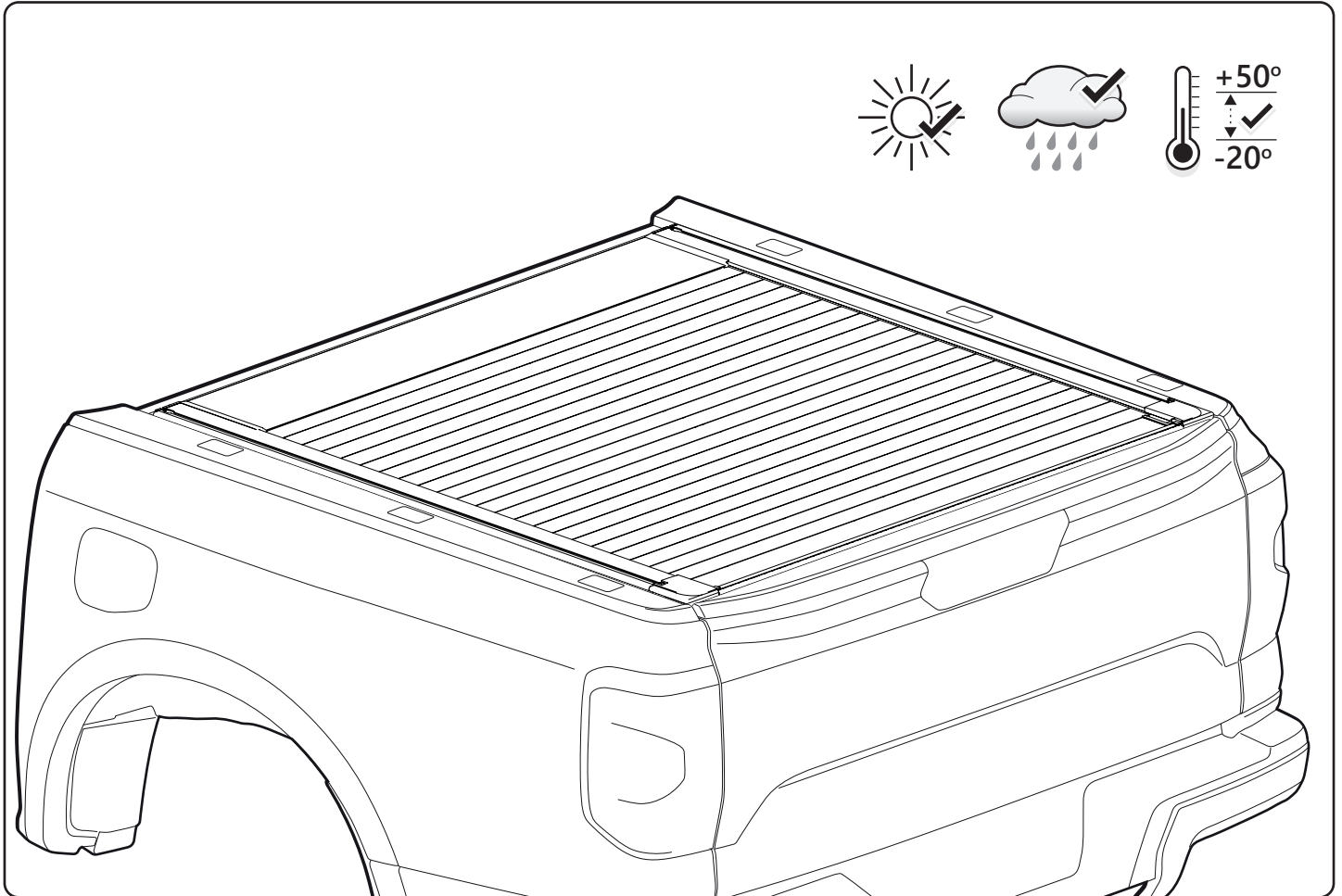
This product has been designed so that the coin/button cell battery is not accessible to young children as the battery compartment cover is secured with a screw or mechanical fastener. Always ensure the Remote FOB compartment is secured before use.

If swallowed or placed inside any other part of the body, immediately call the 24-hour Poison Information Centre (Look up the number in your country of residence) for fast, expert advice. Dispose of used batteries immediately.

 <p>WARNING</p> <p>KEEP OUT OF REACH OF CHILDREN Swallowing can lead to chemical burns, perforation of soft tissue, and death. Severe burns can occur within 2 hours of ingestion. Seek medical attention immediately.</p>	
--	--

IEC

2 CONDITIONS OF USE

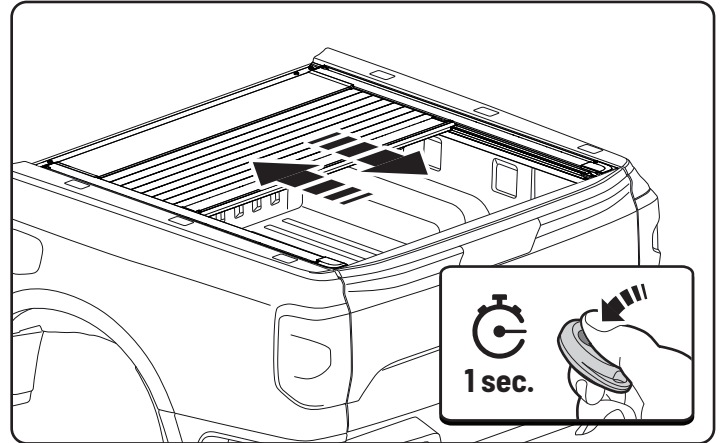


- The EVOe roll cover design is lightweight and not suitable for extreme usage.
- Designed to withstand rain water, some water ingress may occur.
- Dust can enter the compartment through various gaps.
- Due to profiles which relatively quick heats up and cools down according to weather conditions can cause condensation on the inside.
- The EVOe roll cover is not designed for loading although it can support normal snow loads.
- Goods in the bed must be secured during transportation to prevent damage.

3 EVOe OPERATION

3.1 - Open / Close

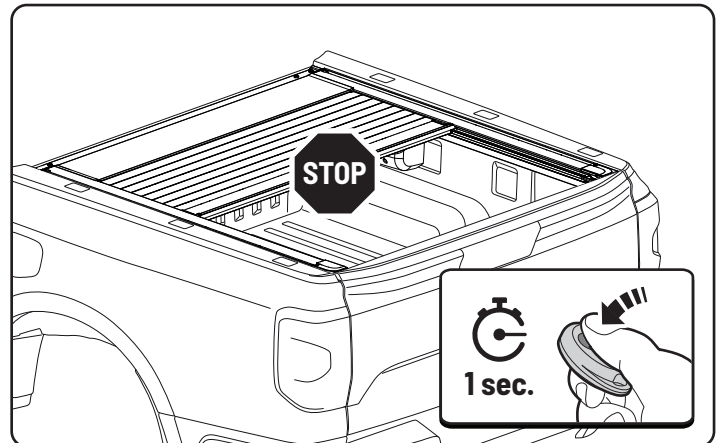
To open or close the EVOe roll cover, press the button on the remote for **1 second**.



3.2 - Stop

To stop the EVOe roll cover, press the button on the remote for **1 second** during operation.

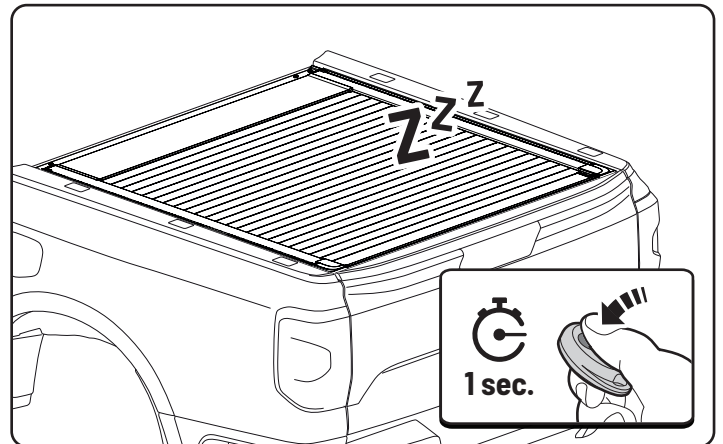
Press again for **1 second** to resume operation. The EVOe roll cover will move in the **opposite** direction.



3.3 - Sleep Mode

The EVOe roll cover will enter **Sleep Mode** after 48 hours of inactivity.

Press the the button on the remote for **1 second** to wake the roll cover.

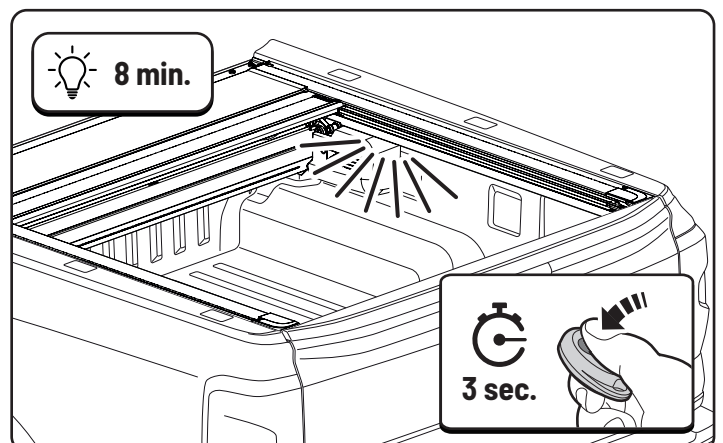


3.4 - Turn lights on / off

Press and hold the button on the remote for **3 seconds** to turn the lights on or off.

The lights will remain on for **8 minutes**.

During normal operation, the lights will turn on when opening, and turn off when closing.

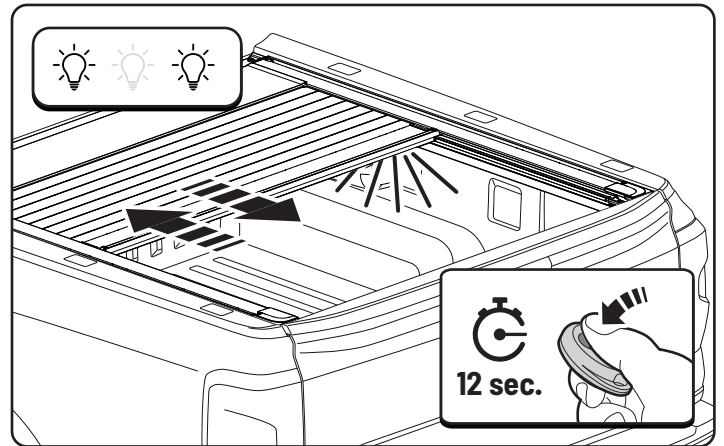


3.5 - Auto Calibration

To calibrate / reset the EVOe roll cover, and press and hold the button on the remote for **12 seconds**.

During calibration, the roll cover will open completely, then close. The lights will slowly fade on and off.

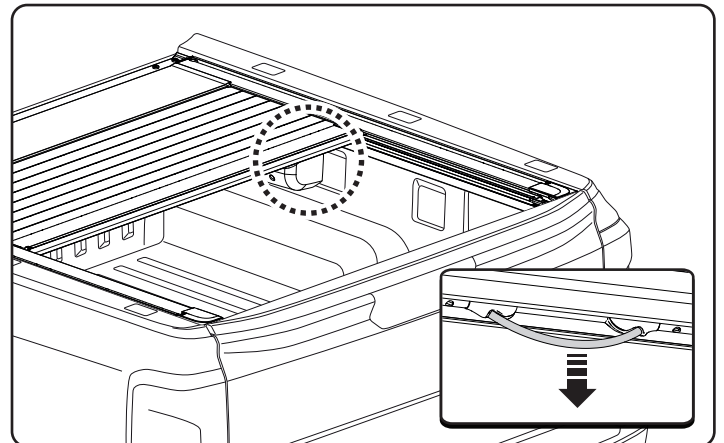
Calibration should be done monthly.



3.6 - Emergency Release

A release handle is located on the right side of the rear profile. Pull the handle down to disengage the motor and belt drive.

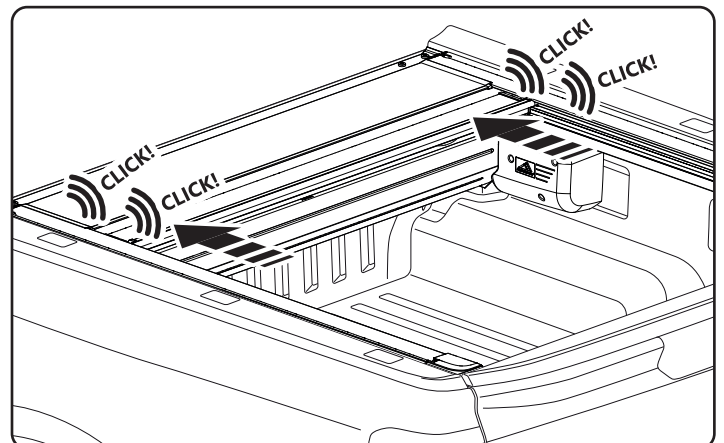
The EVOe roll cover can then be operated manually.



3.7 - Reconnect after Emergency Release

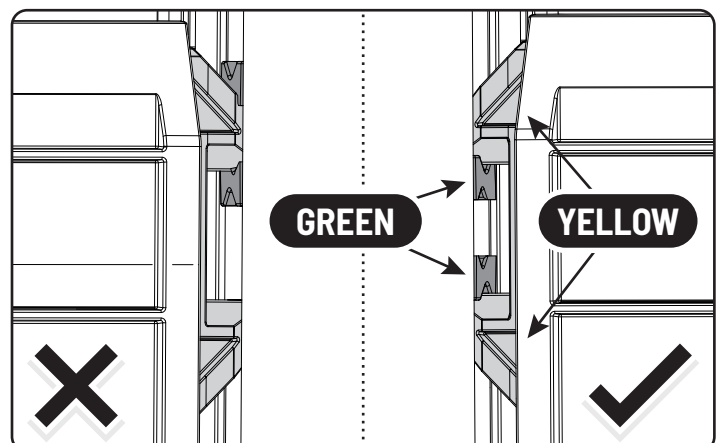
To reconnect the motor and belt drive after an emergency release, press the rear profile firmly into the belt drive handles.

2 audible "CLICKS" should come from both drive handles.



After reconnecting, ensure the drive handles are properly connected to the belt drive on both sides.

Ensure that the GREEN tab is in the middle of the YELLOW clip.

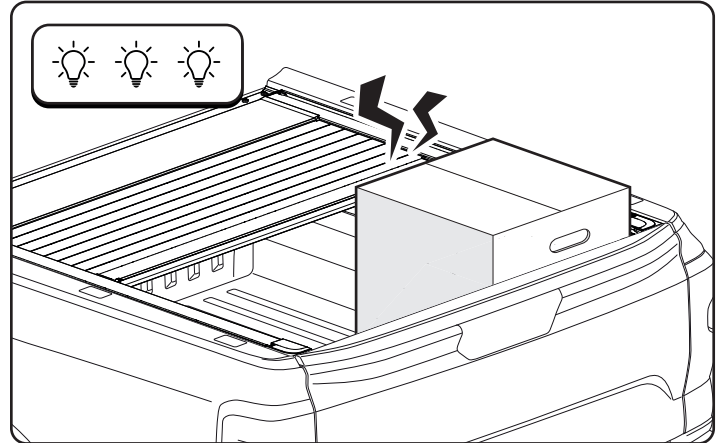


4 EVOe SAFETY FEATURES

4.1 - Anti-Pinch

If the EVOe roll cover is obstructed during operation, it will stop moving and retract **approx. 10cm**, and the lights will flash rapidly.

After clearing the obstruction, press the button on the remote to resume operation. The EVOe roll cover will open or close fully, depending on the direction it met the obstruction.

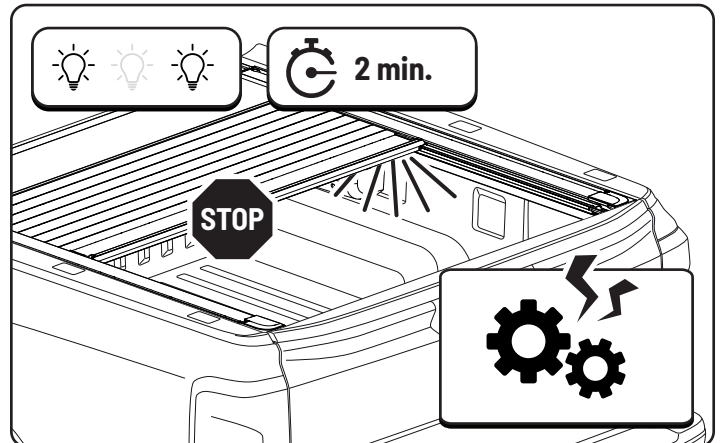


4.2 - Motor Overload

If the motor is overloaded, it will stop, and the lights will flash slowly. After a **2 minute** pause, the EVOe roll cover will resume normal operation.

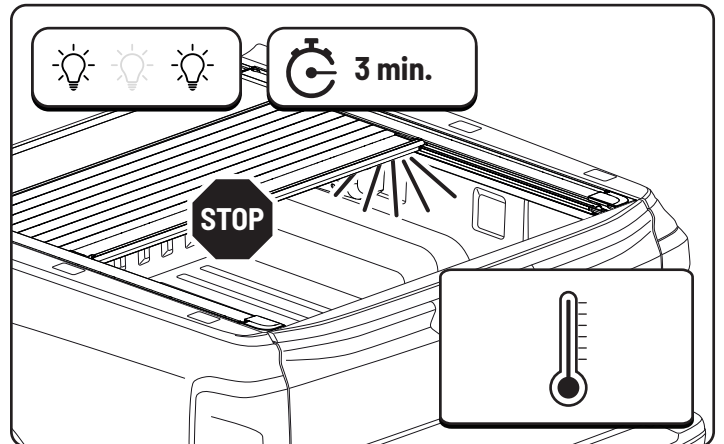
Motor overload can be caused by incorrect installation, or dirt and debris. See **section XX** for proper maintenance of the EVOe roll cover.

If the motor overloads frequently after proper maintenance, contact your local dealer.

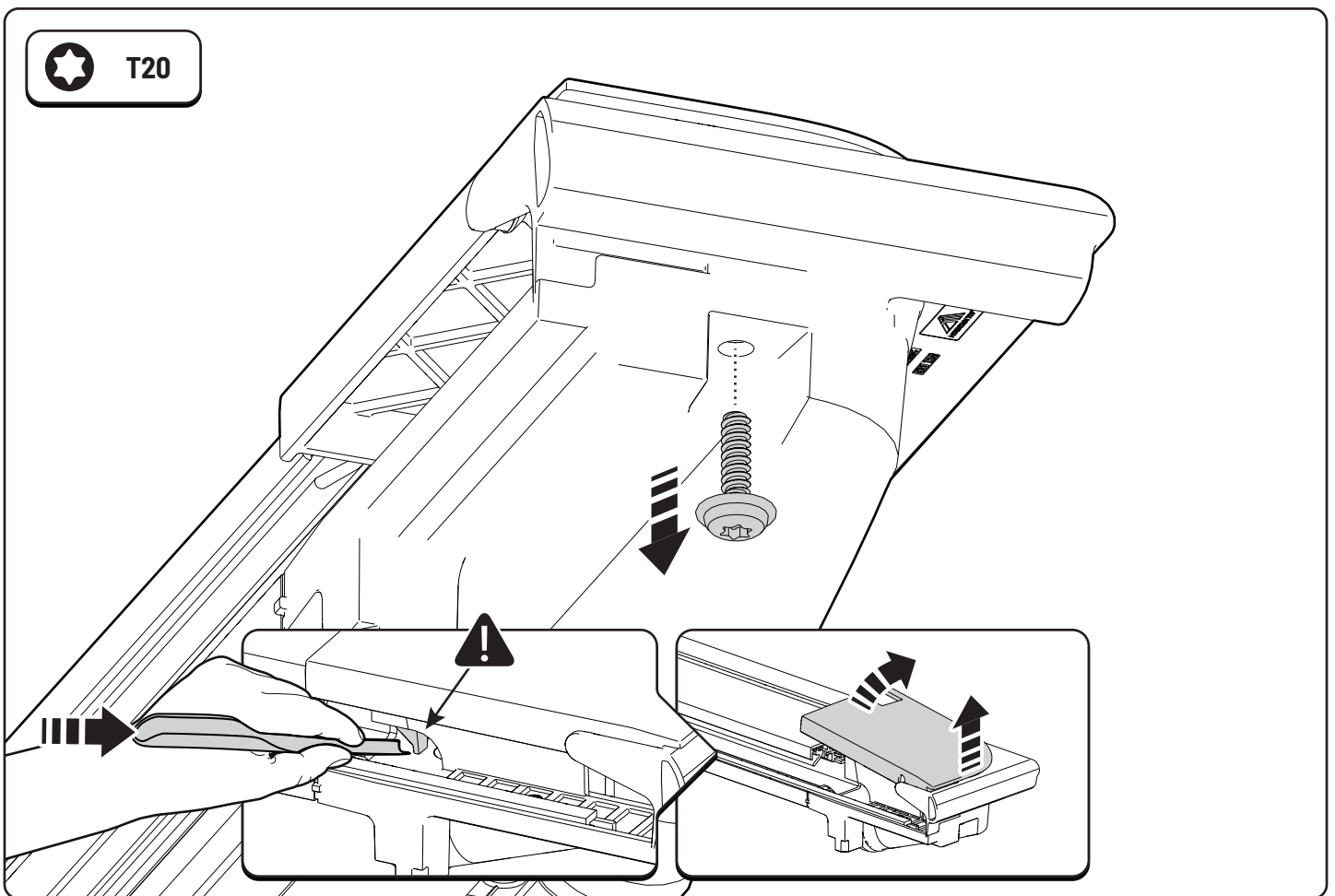
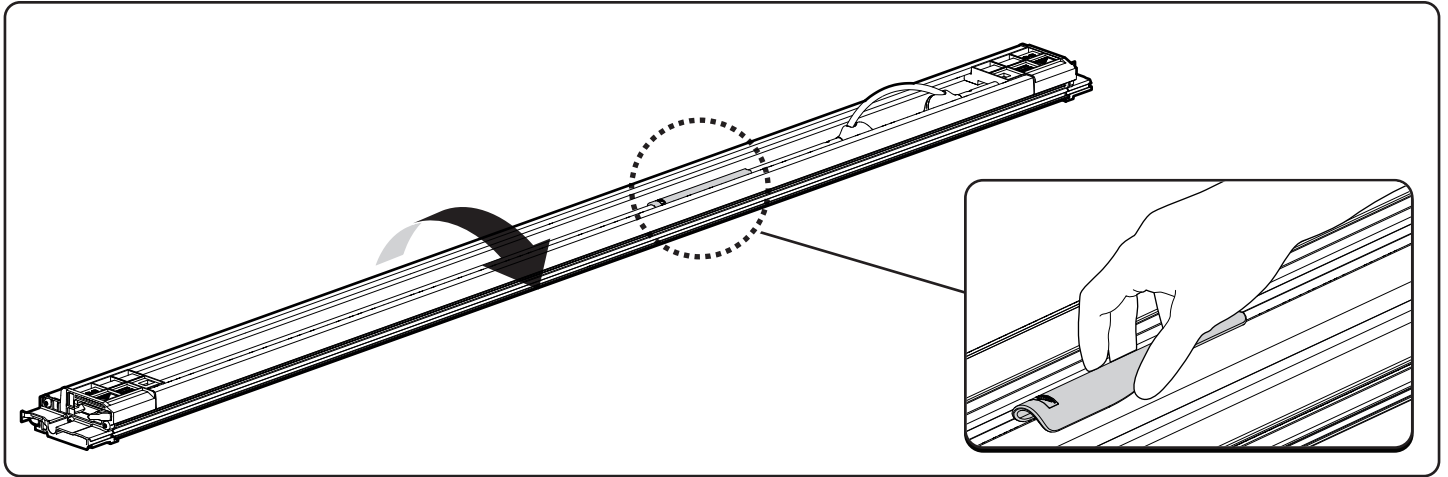


4.3 - Temperature Overload

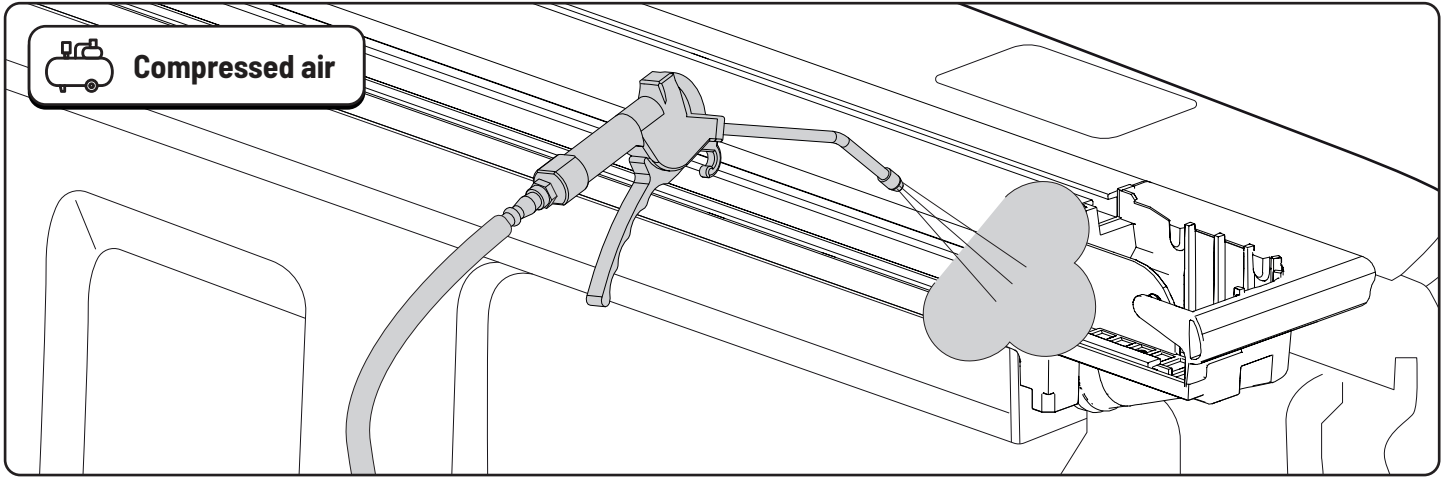
If the EVOe roll cover is operated under high temperatures, it can cause a temperature overload, and the roll cover will stop. The lights will flash slowly, and after a **minimum 3 minute** pause, the EVOe roll cover will resume normal operation.



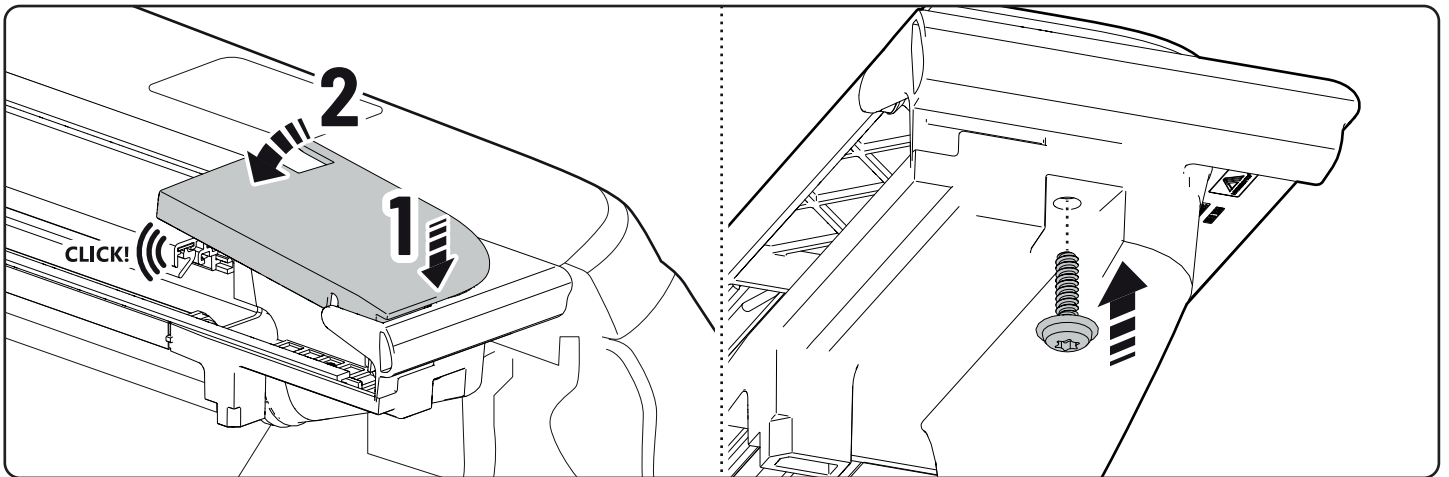
5 MAINTENANCE



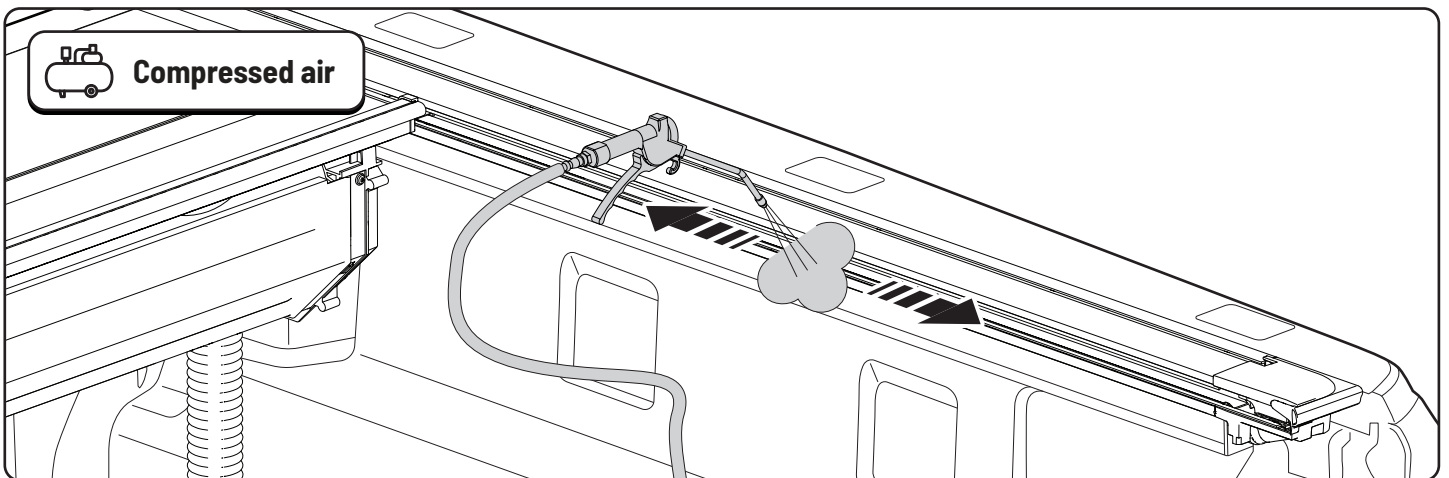
- Loosen screw and place to the side.
- Use the multi tool to remove the plastic covers on the side profiles.



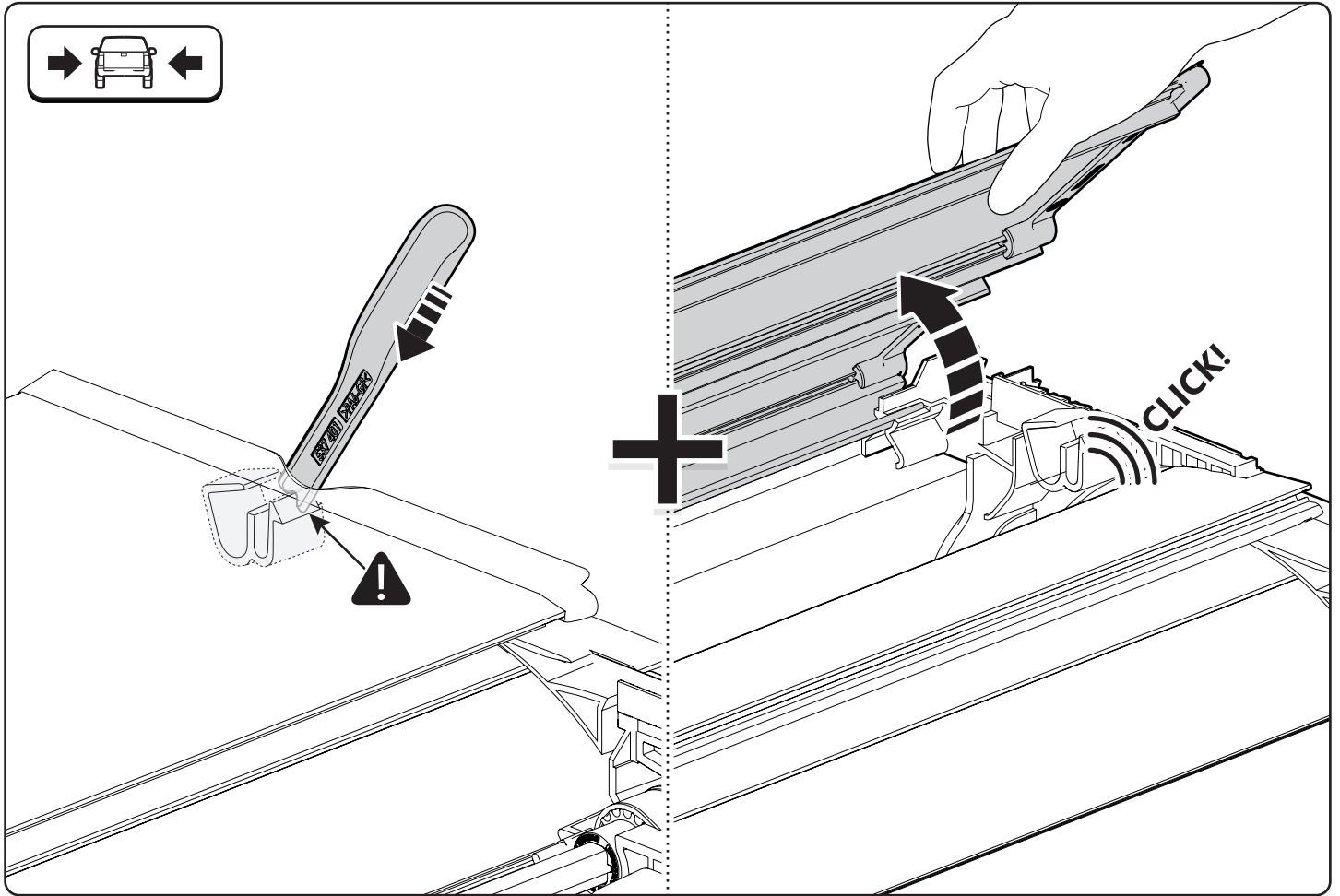
- Remove dirt and debris using compressed air.



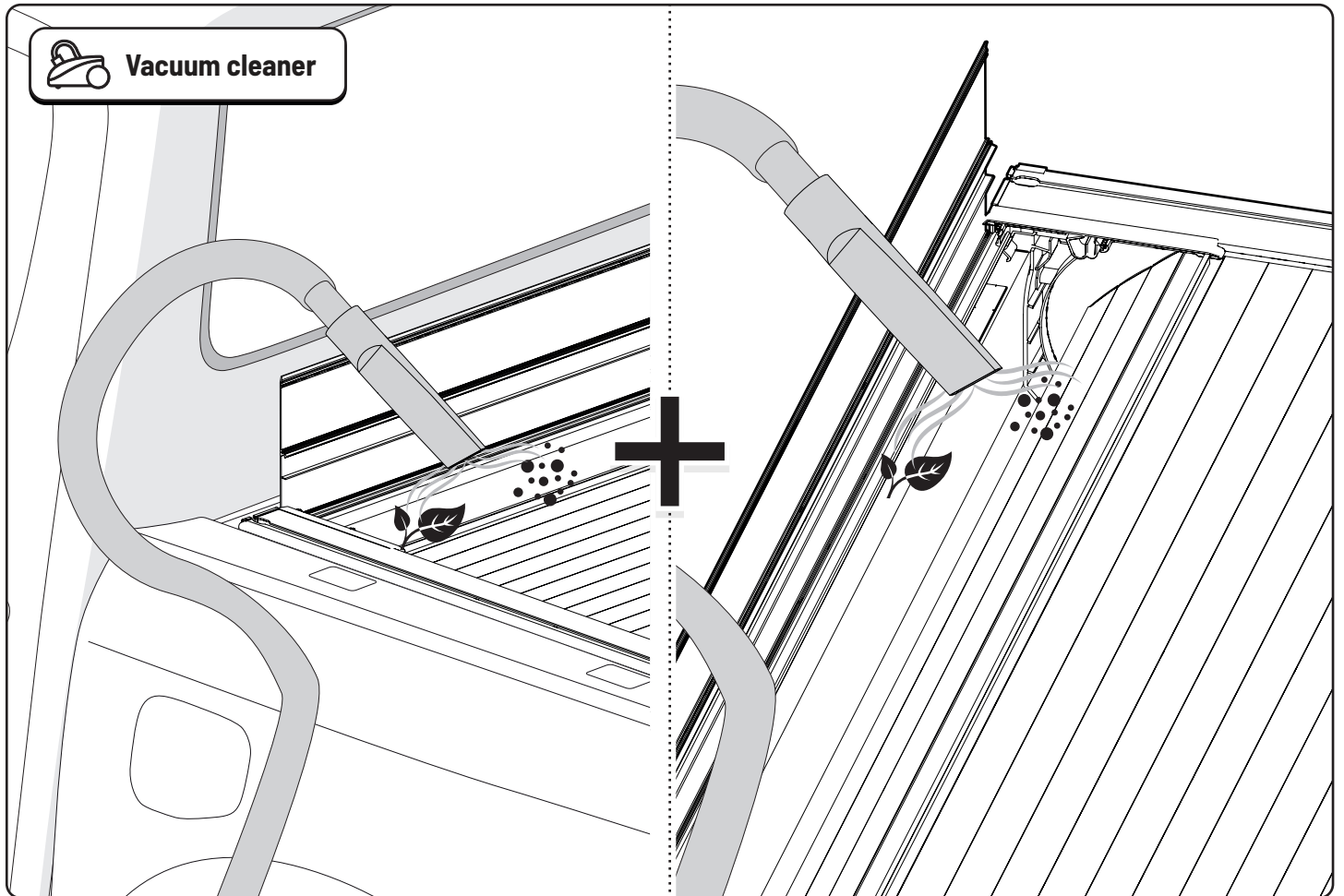
- Mount plastic covers.



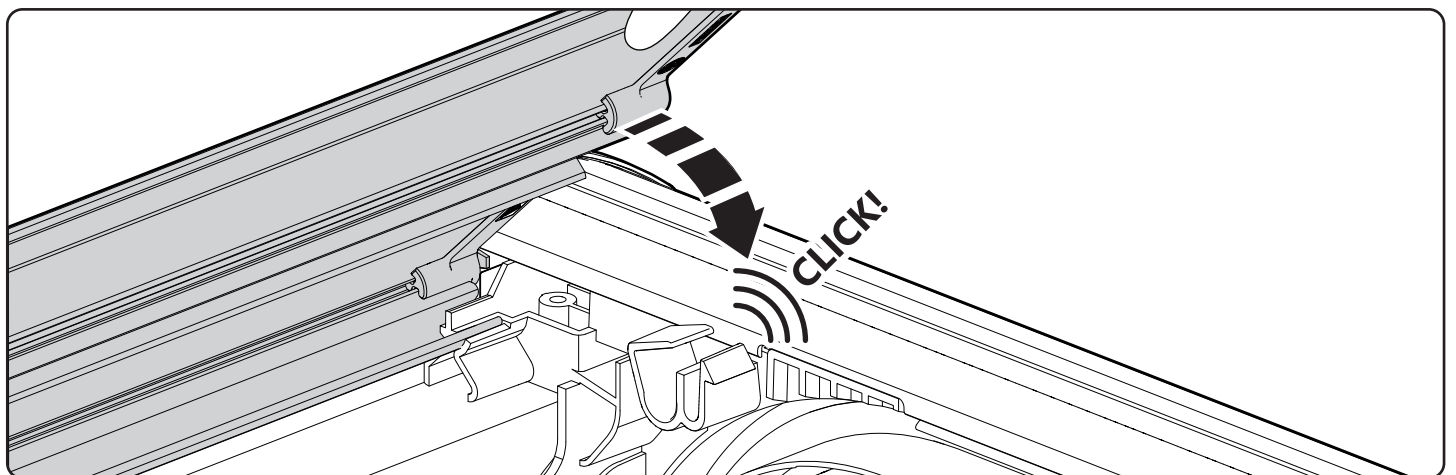
- Clean the side profiles.



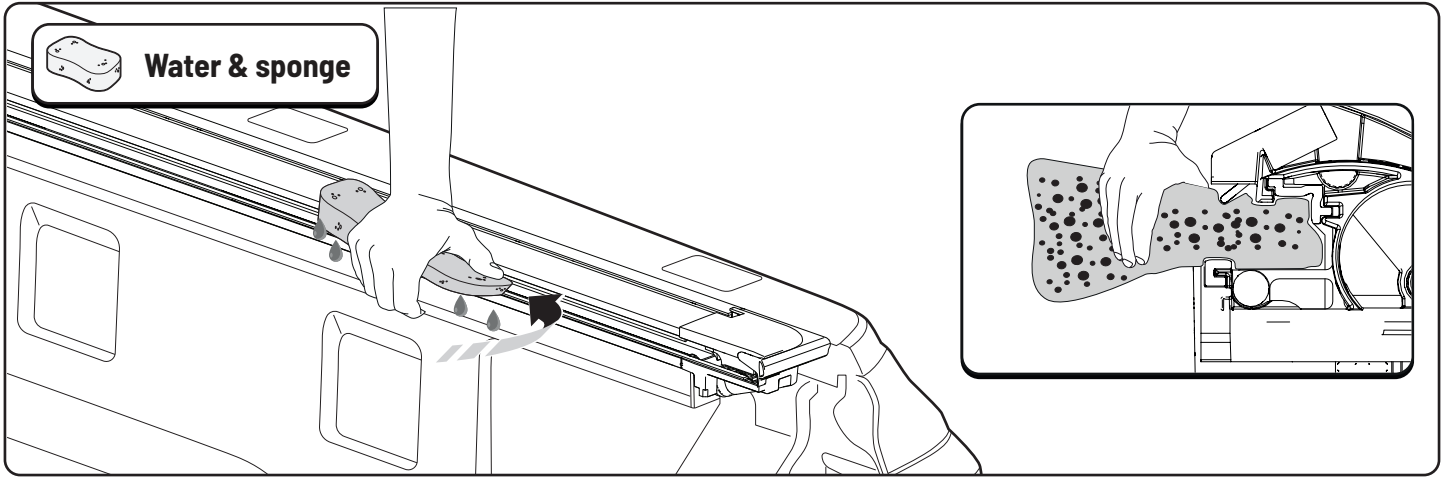
- Open the canister.



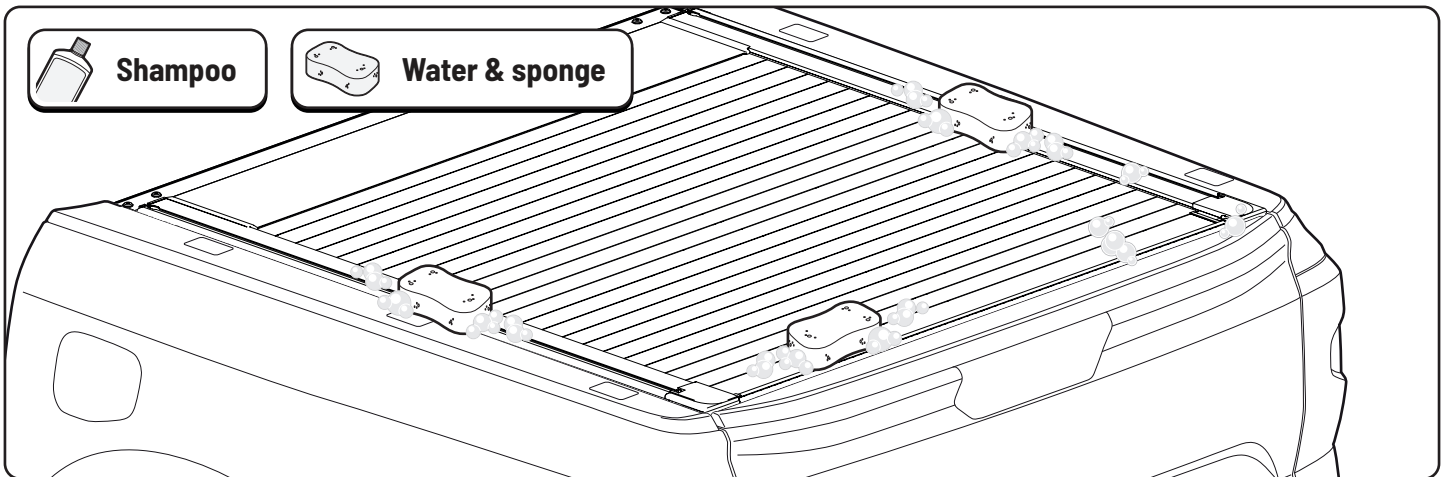
- Clean the canister.



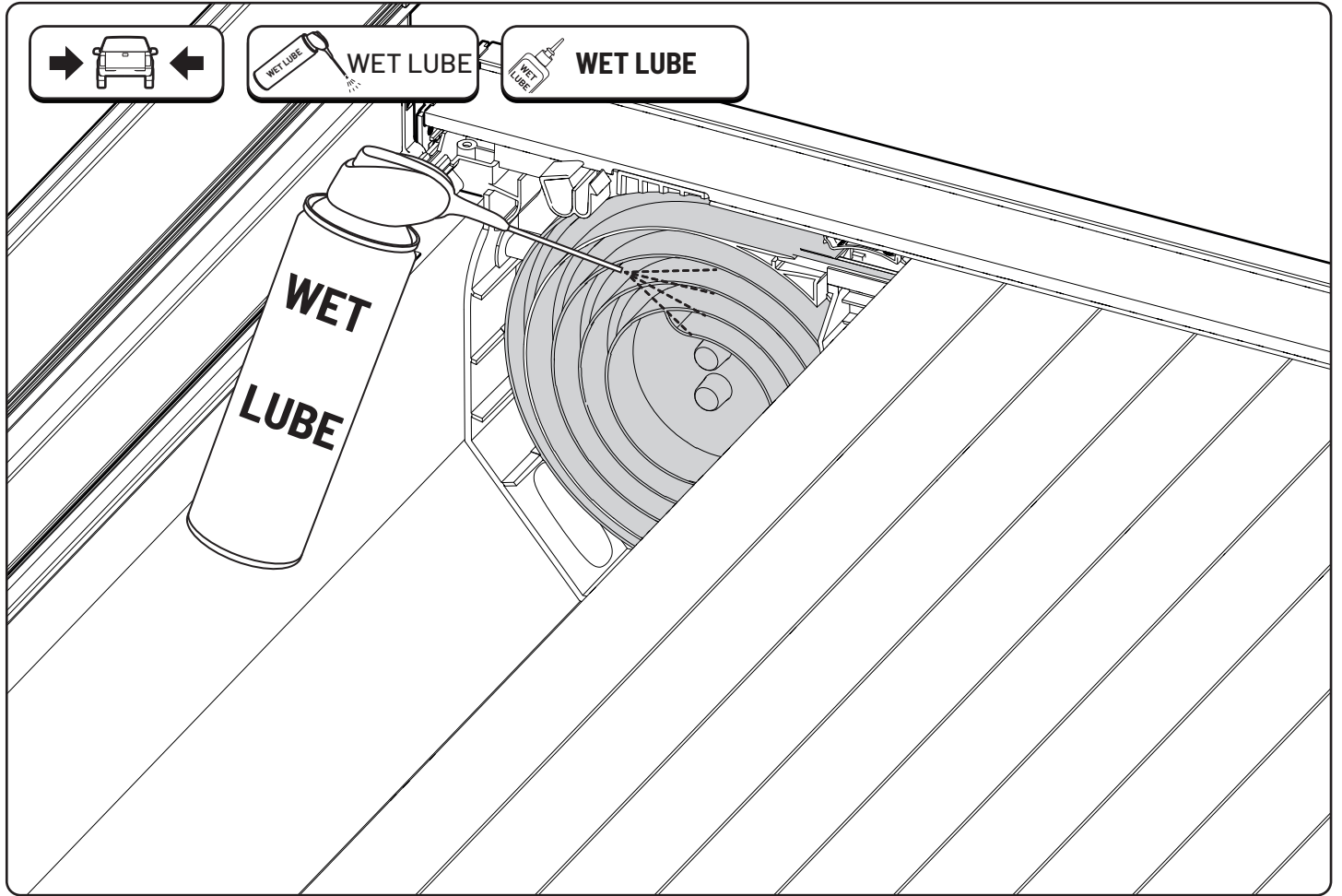
- Close the canister.



- Clean the drainage channels on the side profiles.



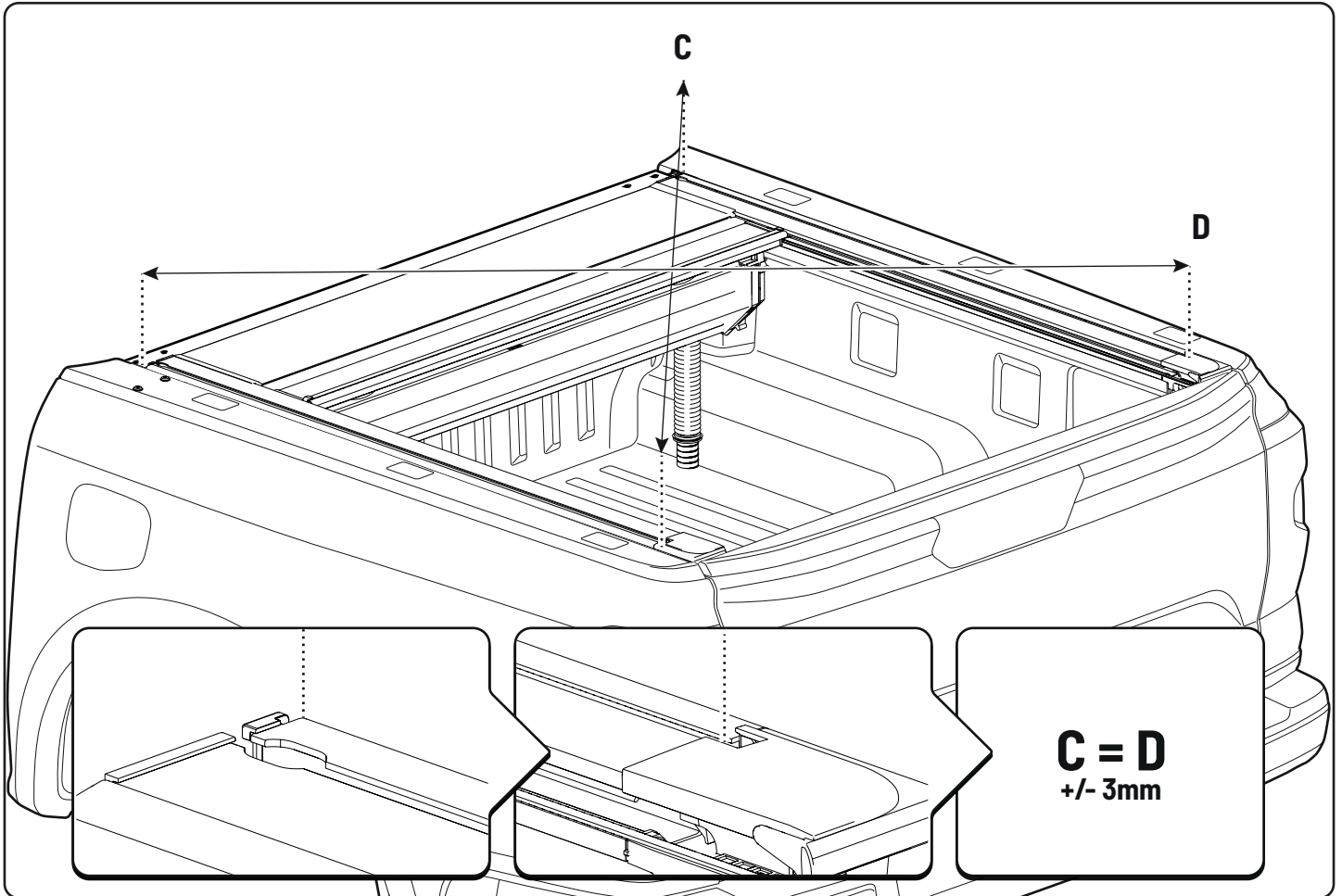
- The EVO roll cover should be cleaned regularly.



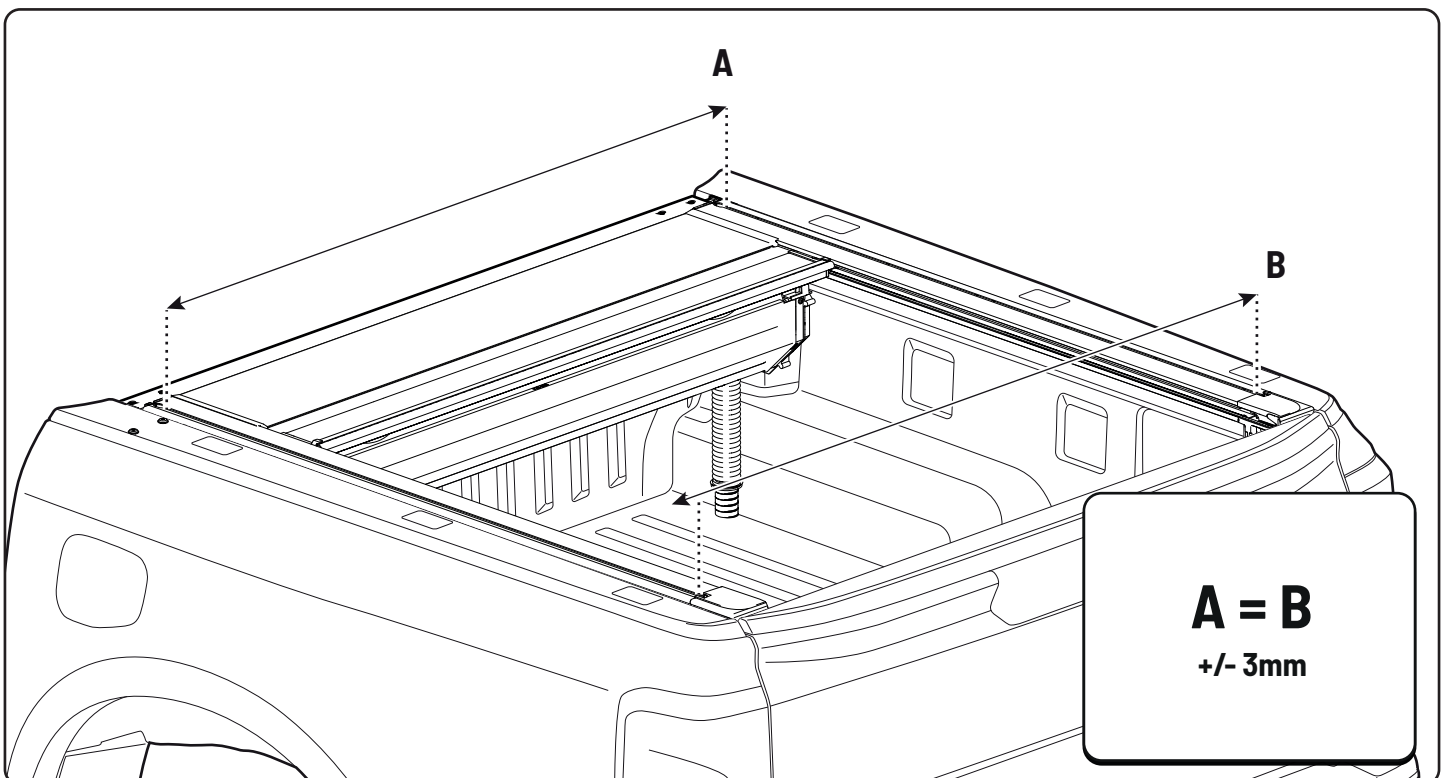
- **ONLY FOR DOUBLE CAB**

Regularly, and following cleaning, apply a PTFE-free all-conditions wet lube product to the inside of the canister ends.

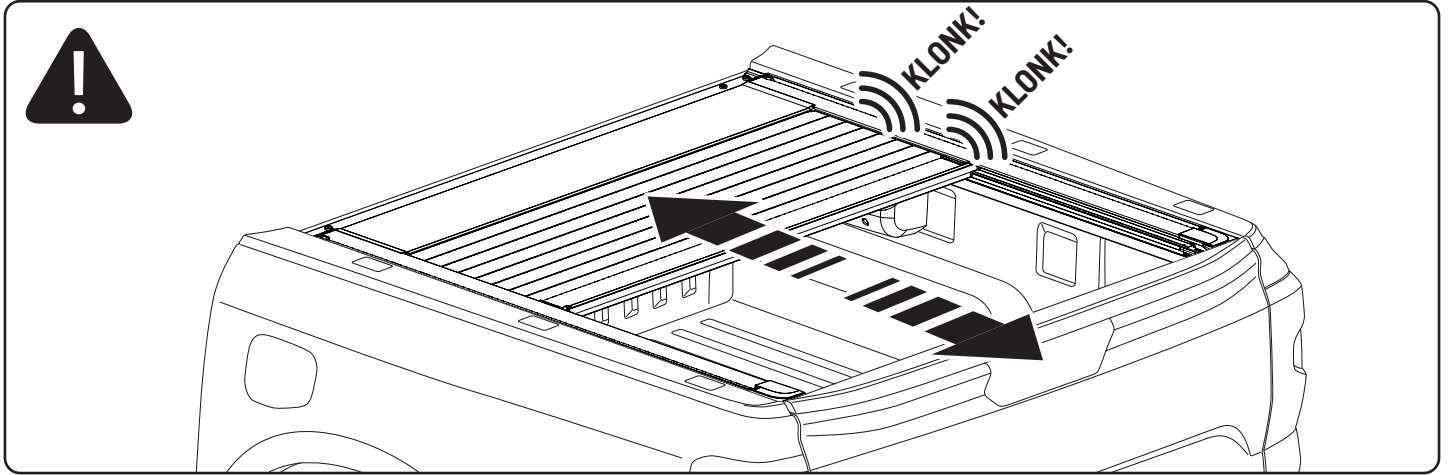
6 CHECK MEASUREMENTS MAINTENANCE



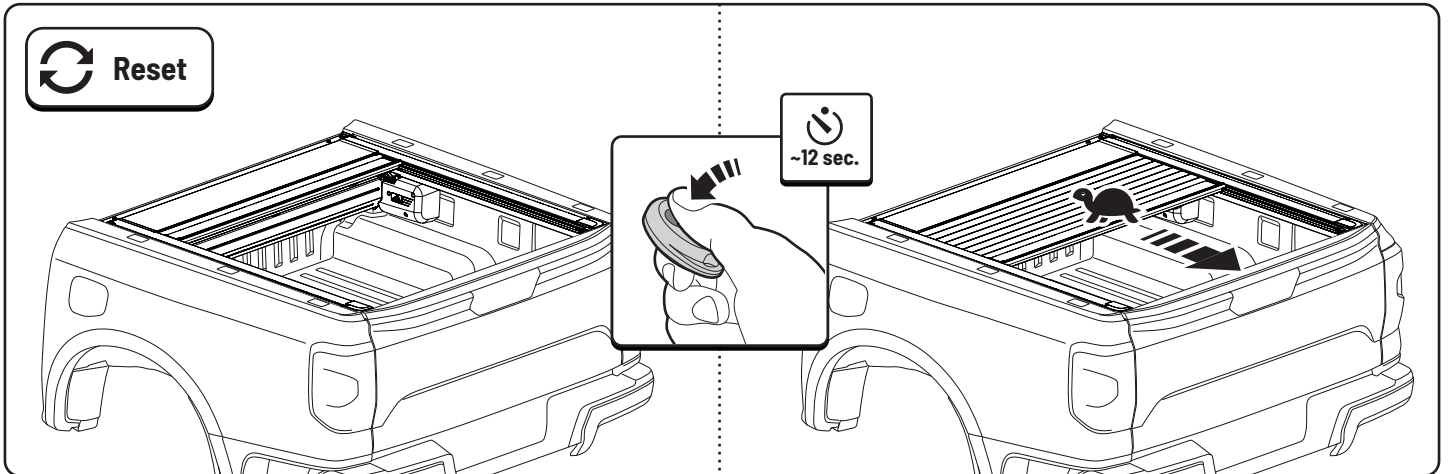
- Ensure the cross measurements are identical.



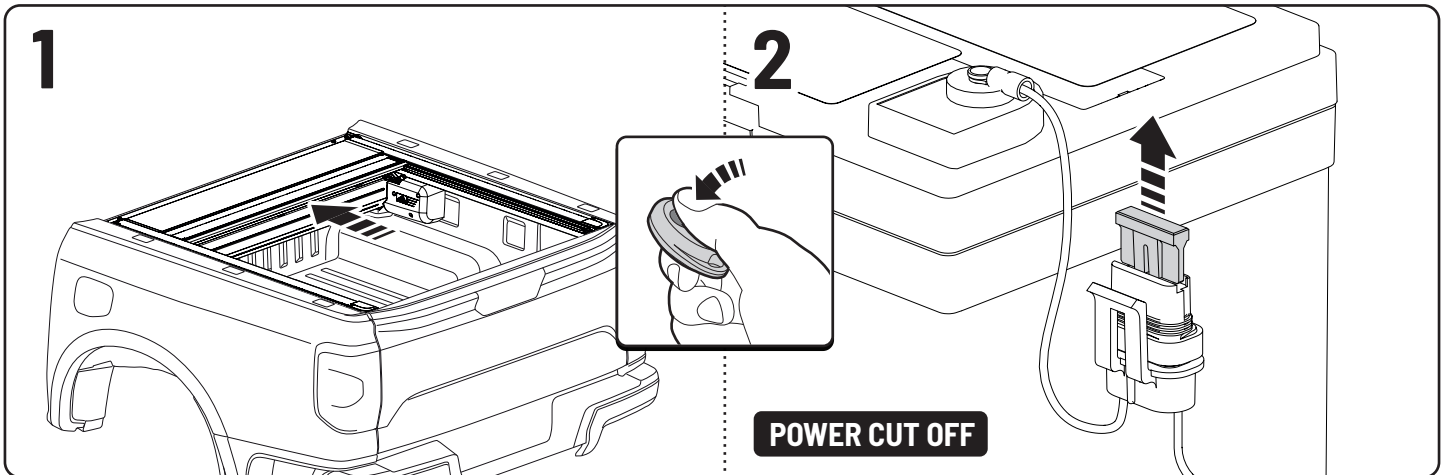
7 BELT ADJUSTMENT



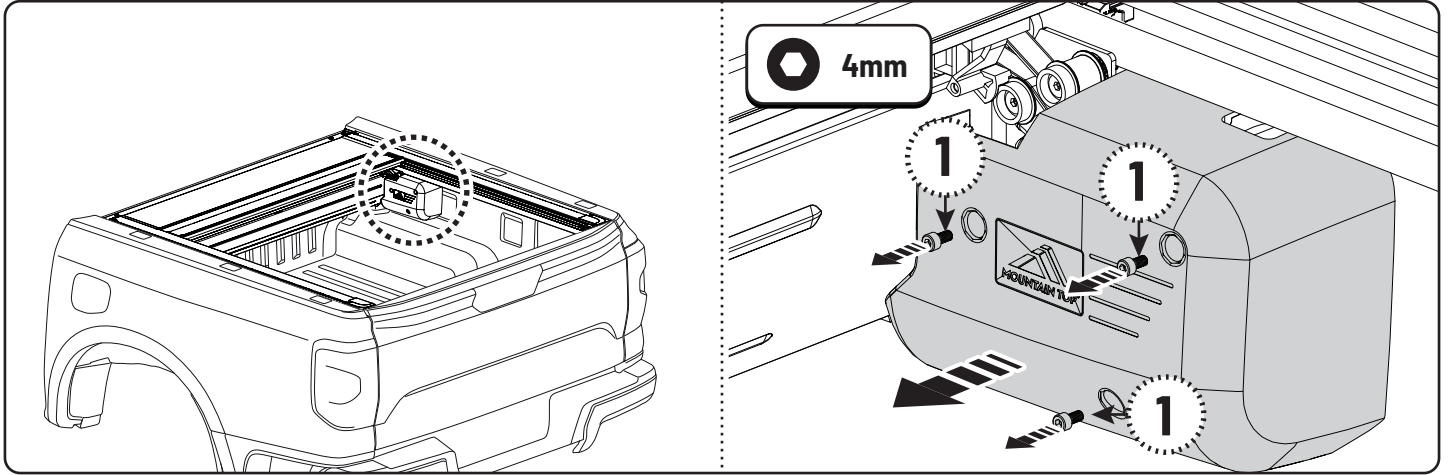
STEP 1



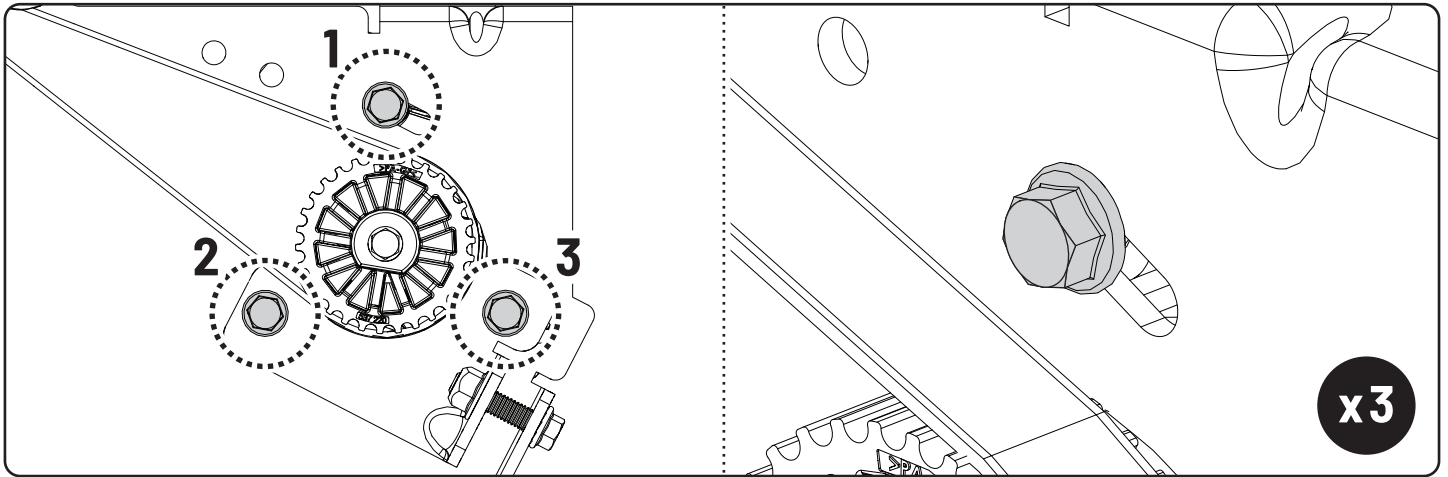
STEP 2



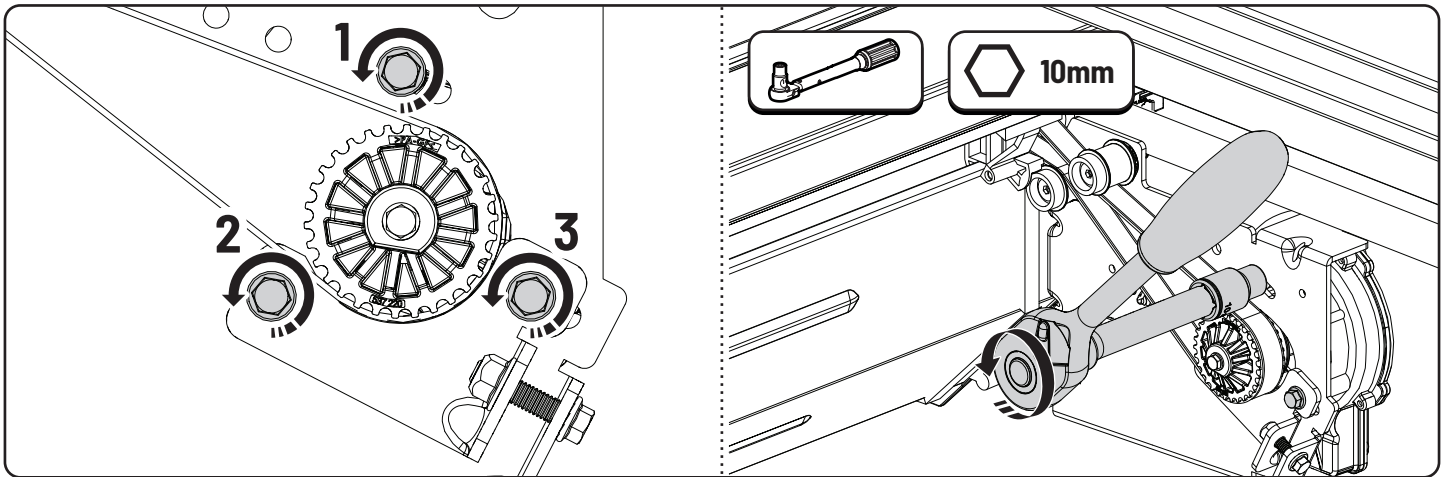
STEP 3



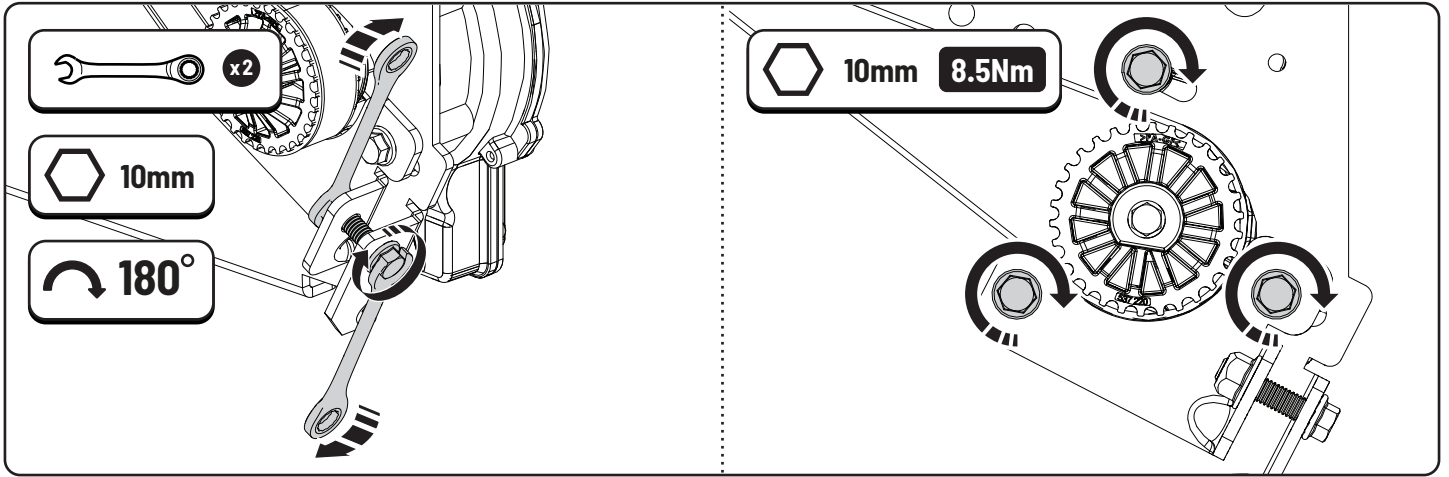
STEP 4



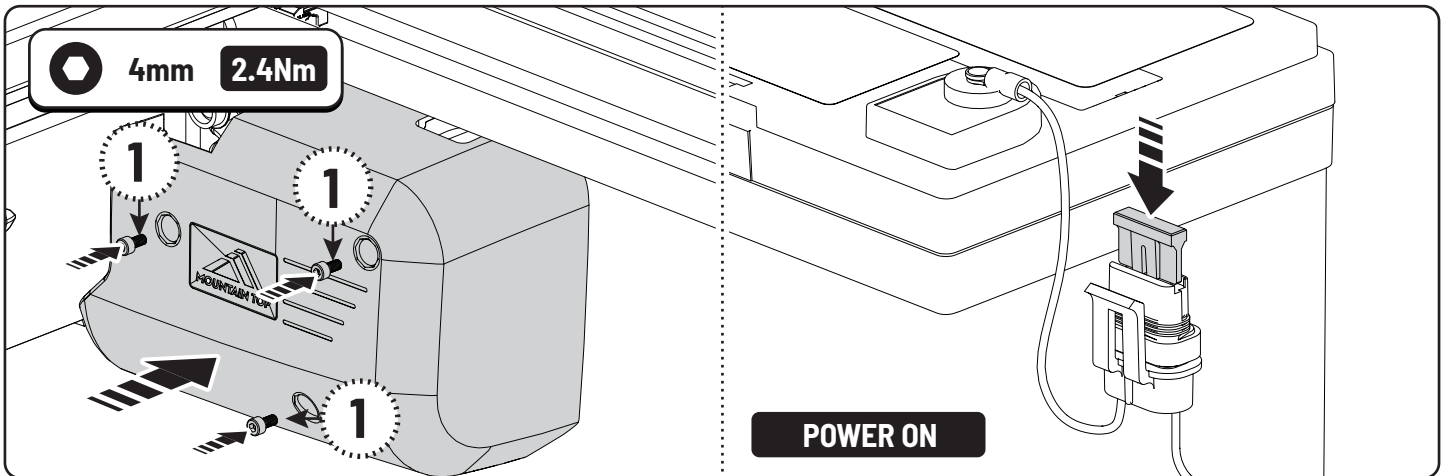
STEP 5



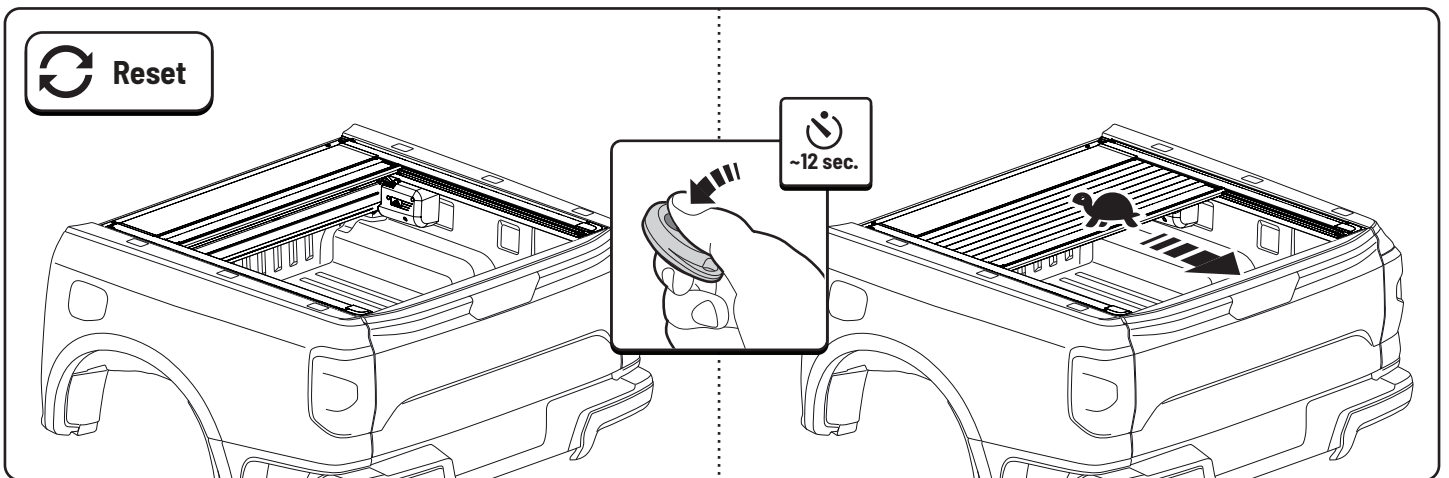
STEP 6



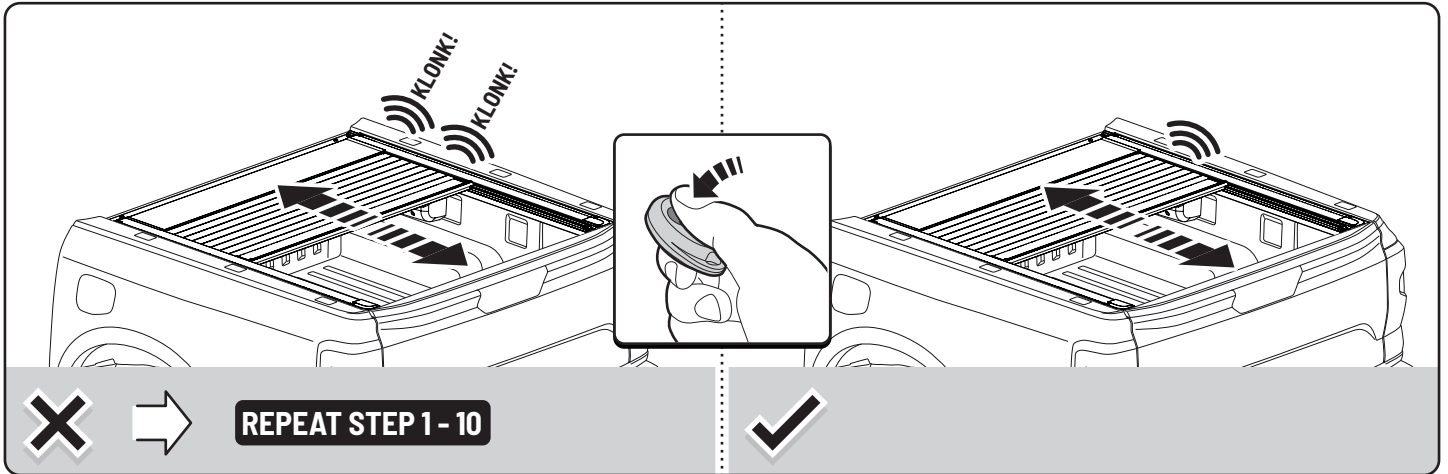
STEP 7



STEP 8



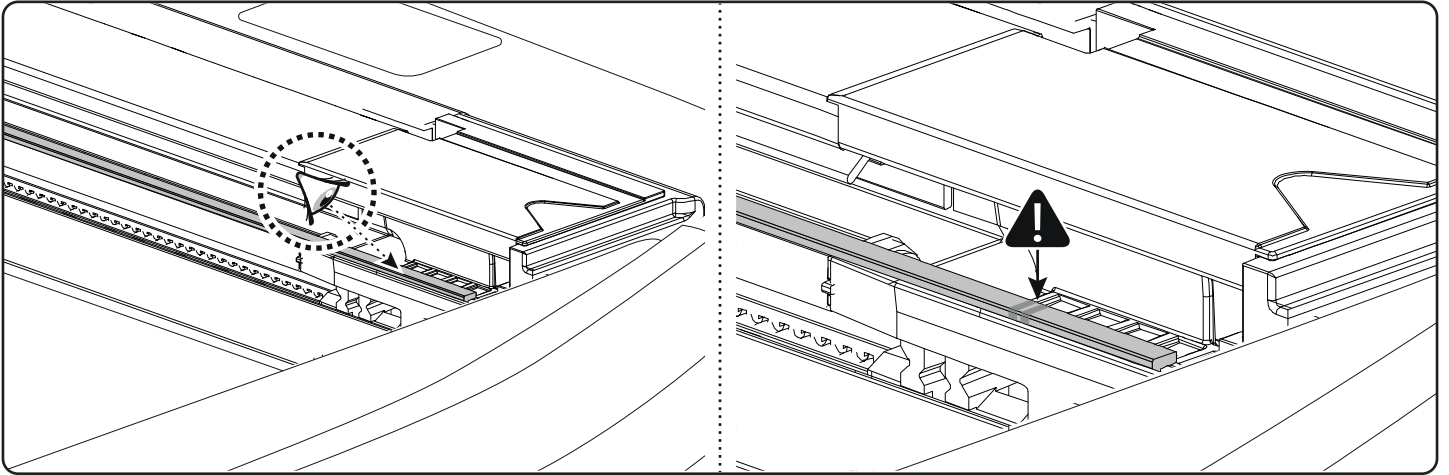
STEP 9



STEP 10

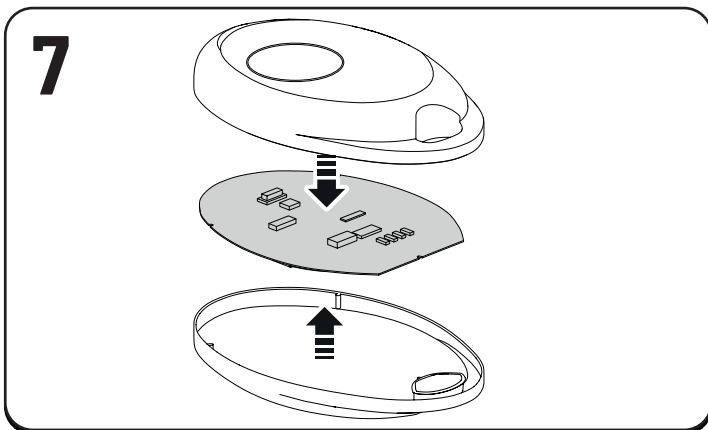
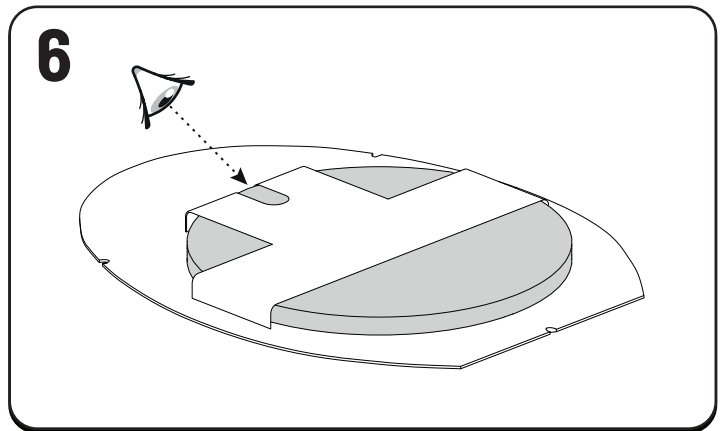
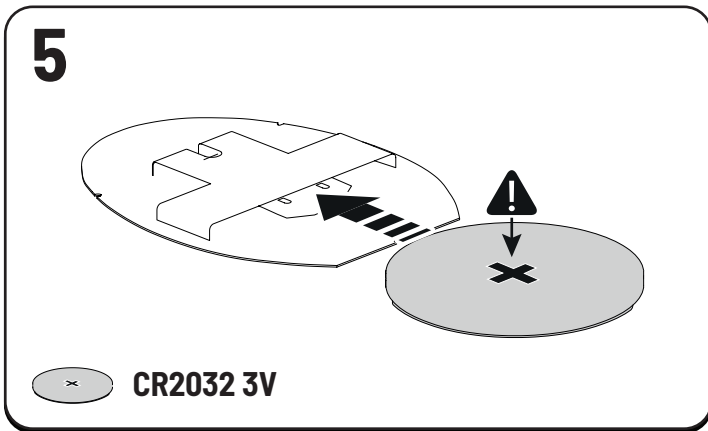
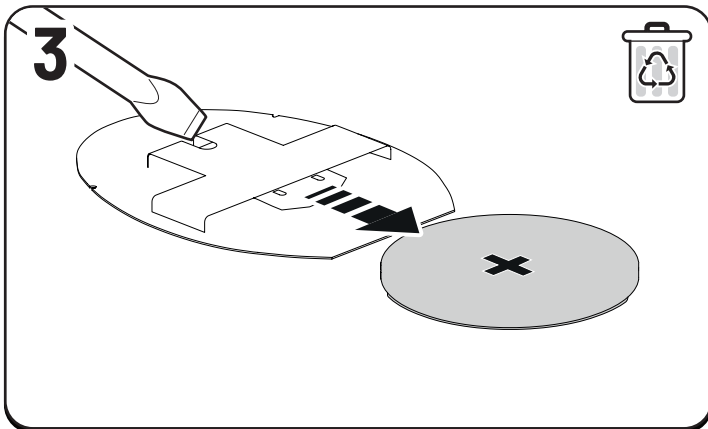
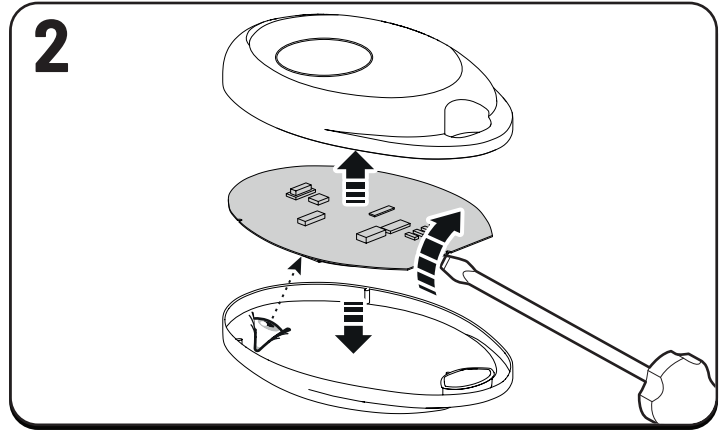
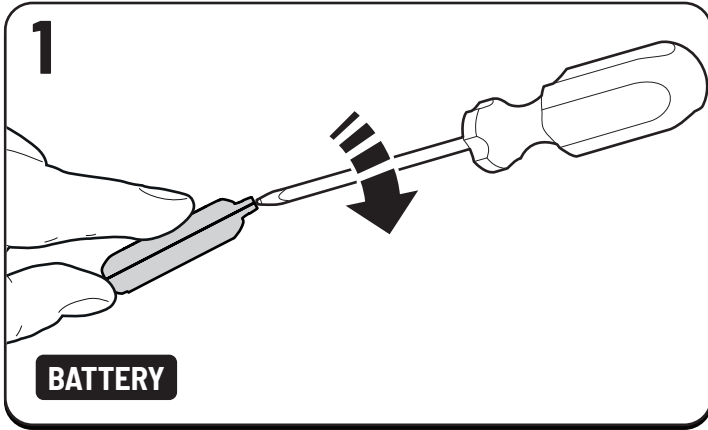
- If operation of the roll cover is not improved after tightening the belt drive, or abnormal sounds persists, refer to section **Check glide rails maintenance** on page 21.

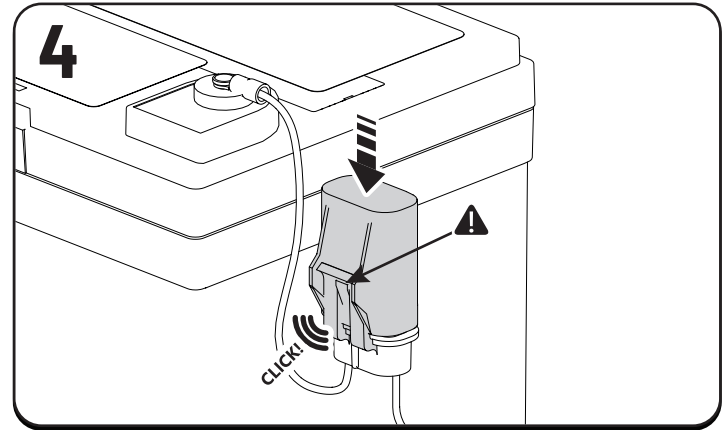
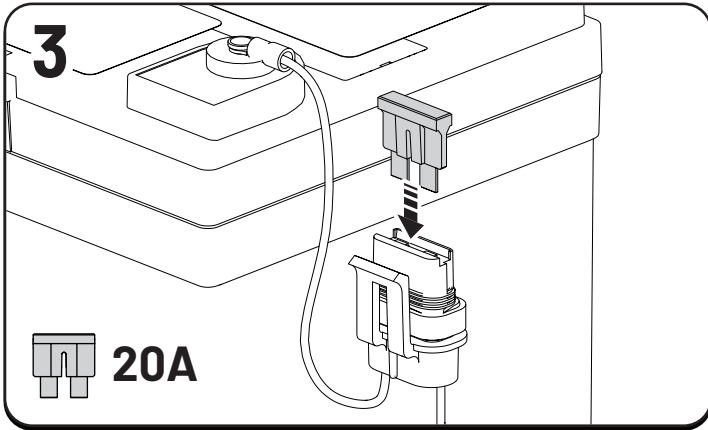
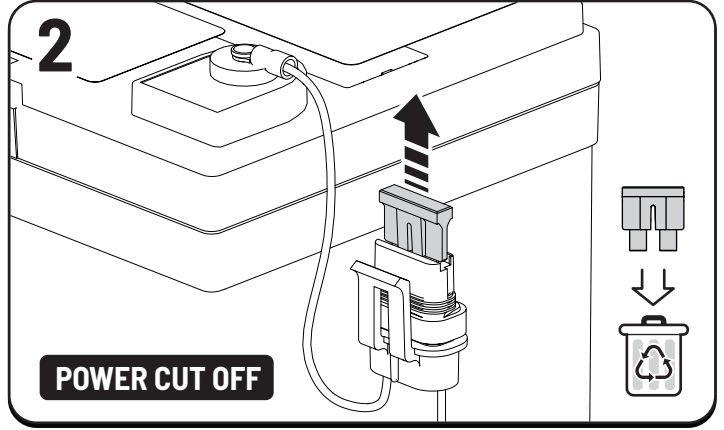
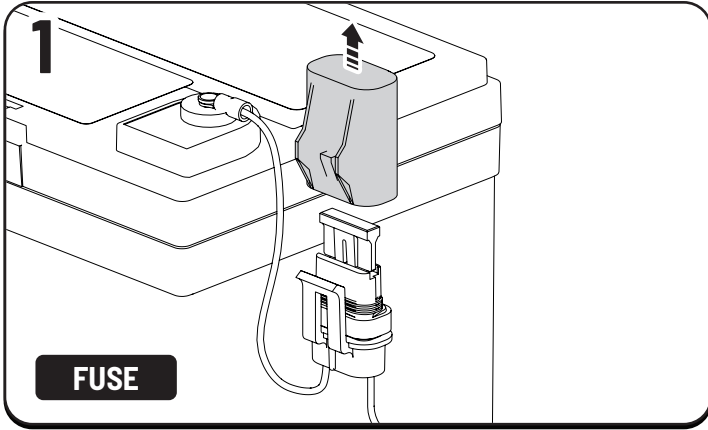
8 CHECK GLIDE RAILS MAINTENANCE



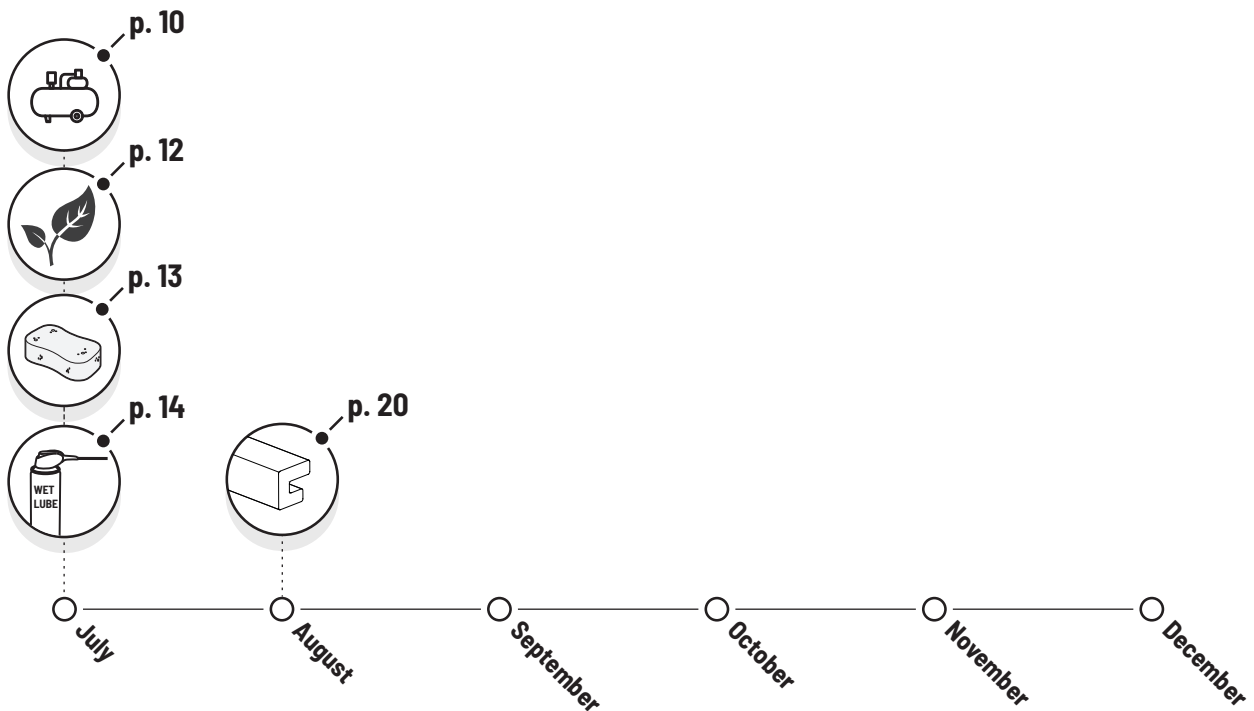
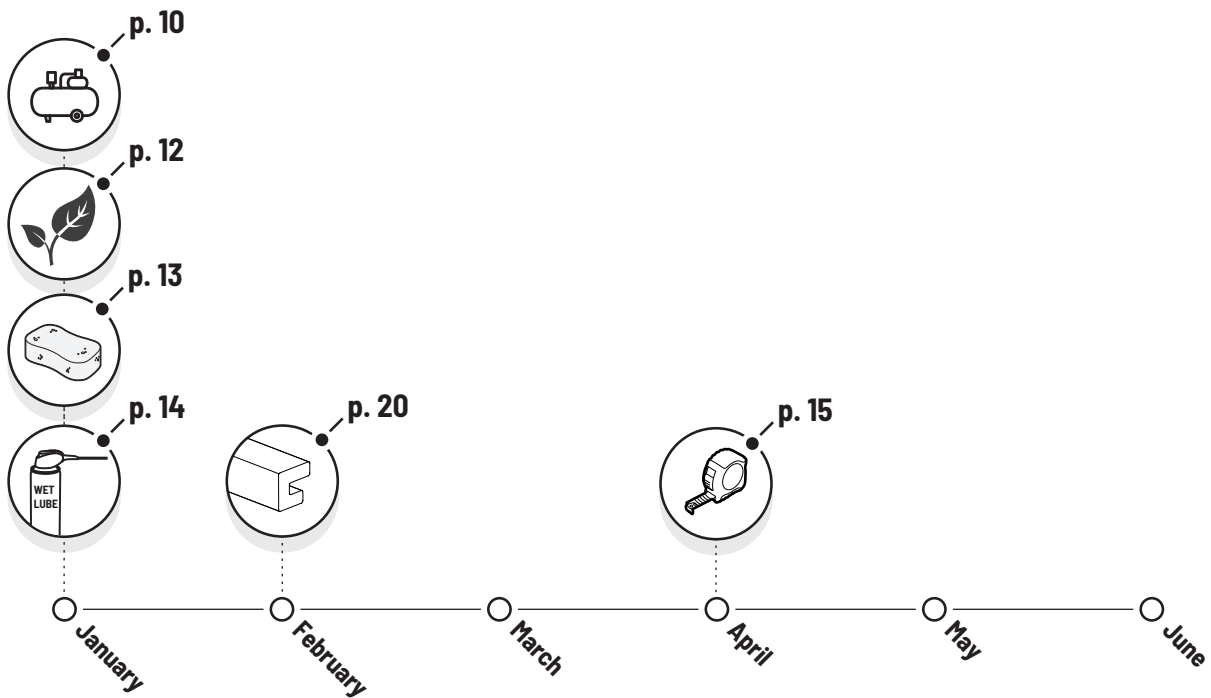
- If abnormal sounds occur during operation of the roll cover, inspect the glide rails for debris or damage. If the glide rails are damaged or worn, then replacement glide rails are needed.

9 REPLACE PARTS





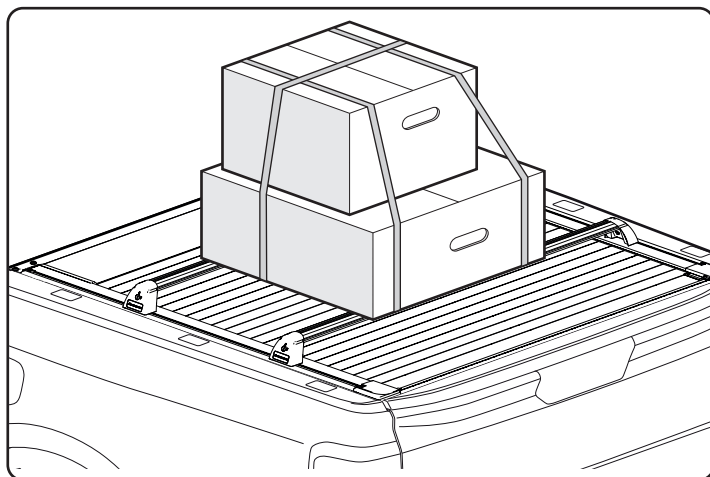
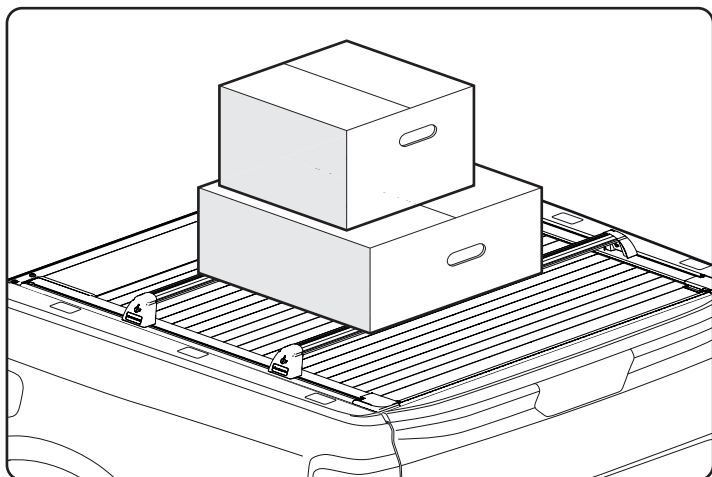
10 SERVICE



Recommended part change	Km	Years
Side profiles	100.000	3
Rear profiles	200.000	5

- Maintenance requirements and frequency depend on the actual usage of the roll cover and the environments and elements that it is exposed to.
- Clean and lubricate the cover accordingly to ensure the best possible operation and function.

ACCESSORIES



- Mountain Top Cargo Carrier combined load capacity of 45 Kg.
- See more accessories and spareparts www.mountaintop.dk.



Type of Maintenance	Date	Done by



Customer Service	+45 4810 2950 (08:00 - 16:00 CET)
Support	info@mountaintop.dk
Website	www.mountaintop.dk
Address	Pedersholmparken 10, 3600 Frederikssund, Denmark



Scan for more
information